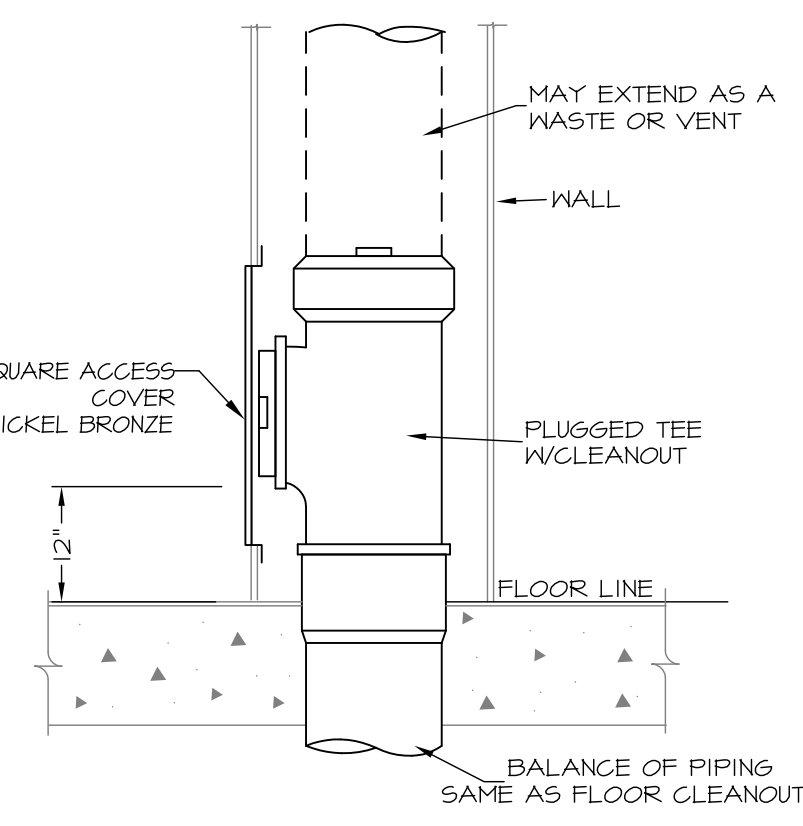
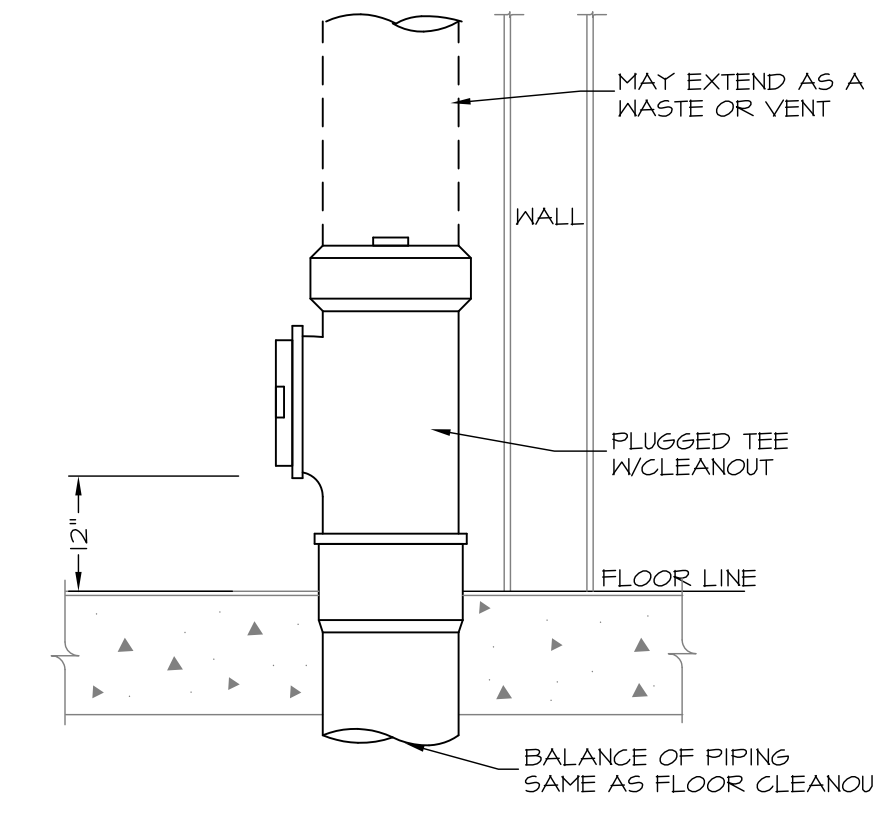


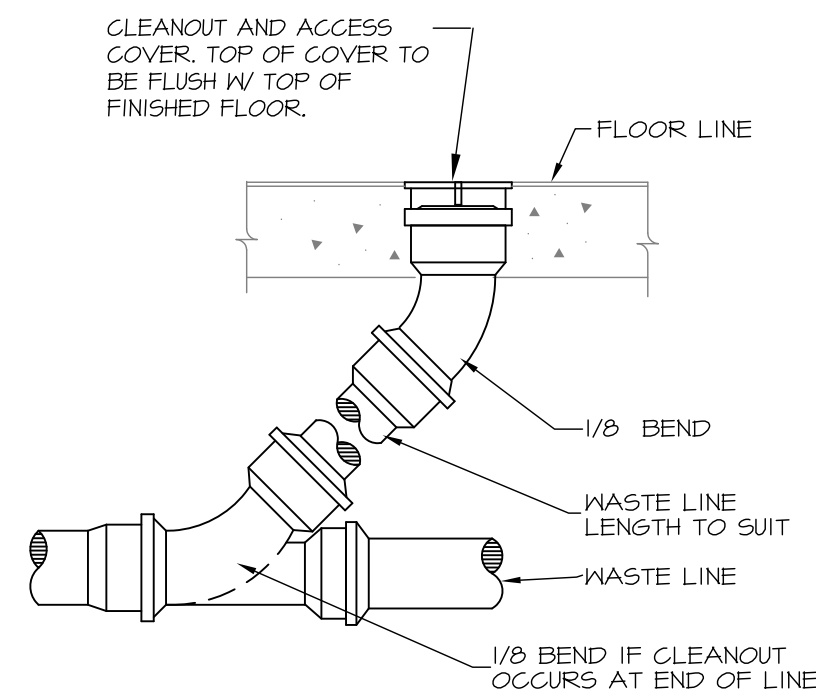
1
 P4
HOT WATER TANK PIPING DIAGRAM
 SCALE: NONE



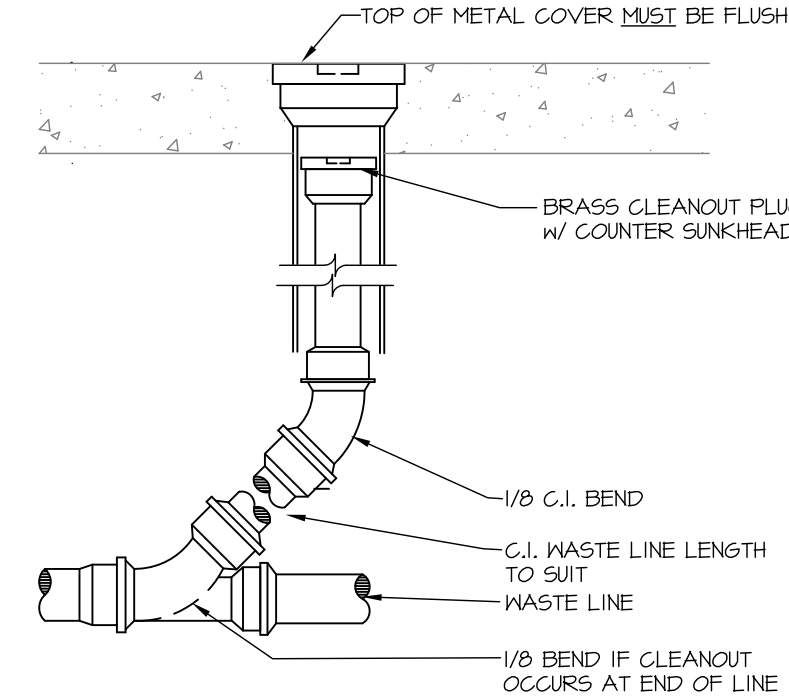
2
 TYP
WALL CLEAN OUT DETAIL
 SCALE: NONE



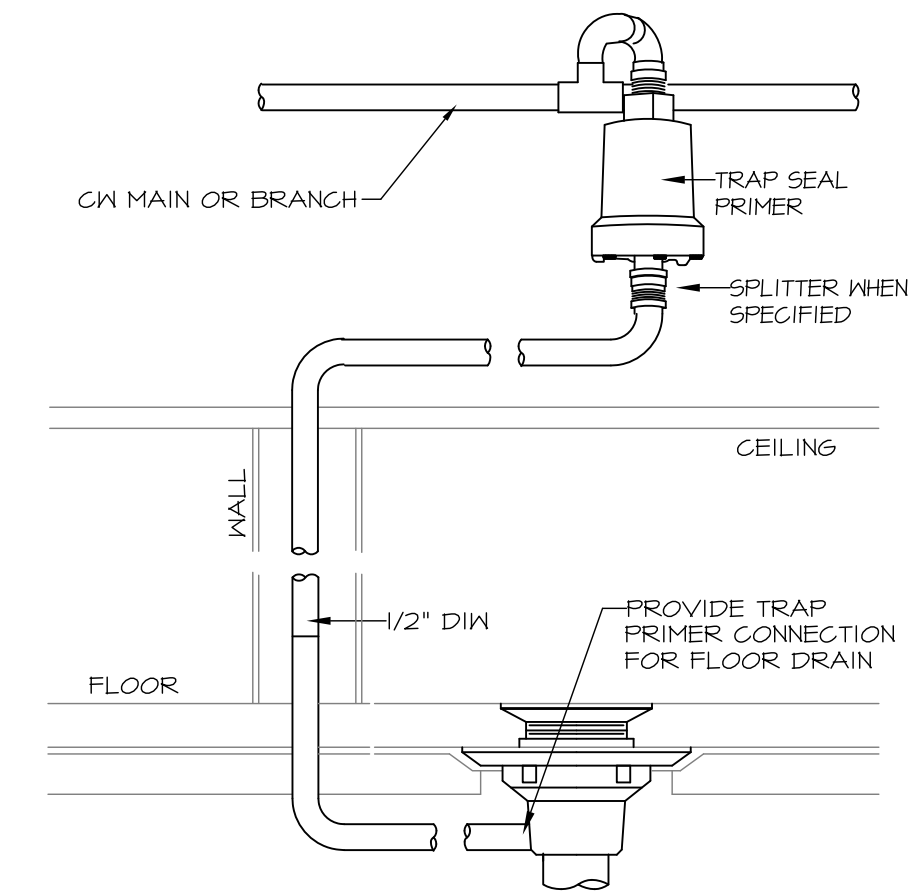
3
 TYP
EXPOSED CLEAN OUT DETAIL
 SCALE: NONE



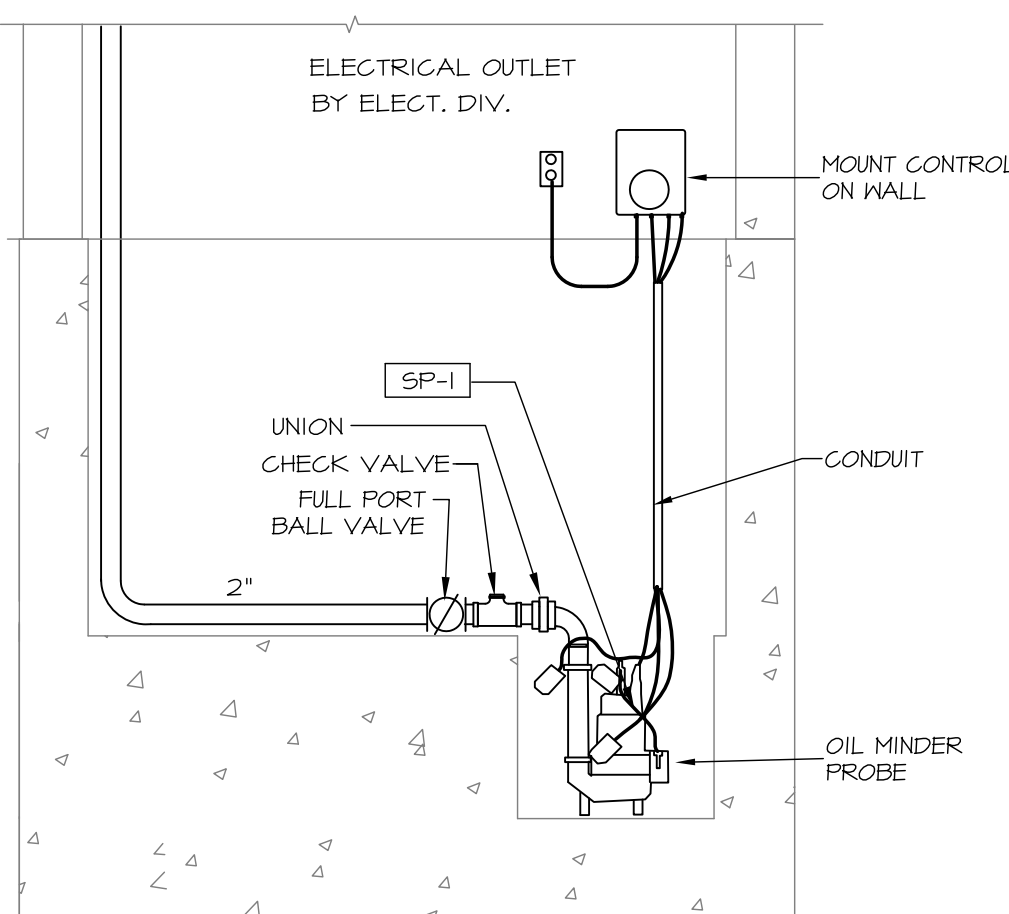
4
 TYP
FLOOR CLEAN OUT DETAIL
 SCALE: NONE



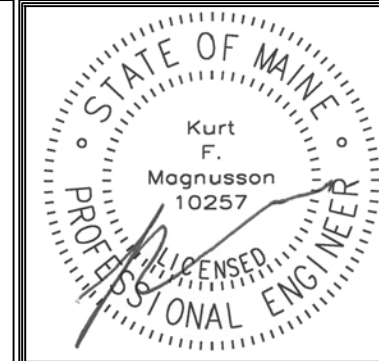
5
 TYP
EXTERIOR CLEANOUT TO GRADE DETAIL
 SCALE: NONE



6
 P4
TP-1 TRAP SEAL PRIMER DETAIL
 SCALE: NONE



7
 P1
ELEVATOR SUMP PUMP DETAIL
 SCALE: NONE



Prepared For:
WESTBROOK HOUSING AUTHORITY

Westbrook, ME 04330

Consulting Engineer:
MECHANICAL SYSTEMS ENGINEERS
 10 FOREST FALLS DRIVE, YARBOURTH, MAINE 04098
 (207) 846-1411
 FACEBOOK: MESENGERS ENGINEERS
 © COPYRIGHT 2015

Architect:
ARCHETYPE Architects
 48 Union Wharf Portland, Maine 04101
 (207) 772-6022 ARCHETYPE@ARCHETYPEPA.COM

Project:
MILLBROOK ESTATES APARTMENTS
 WESTBROOK, MAINE

Revisions:
 1-04-2016 Bid Set

Date: 04 JAN. 2016
 Scale: NONE
PLUMBING DETAILS



P6
 MSE PROJECT 1513