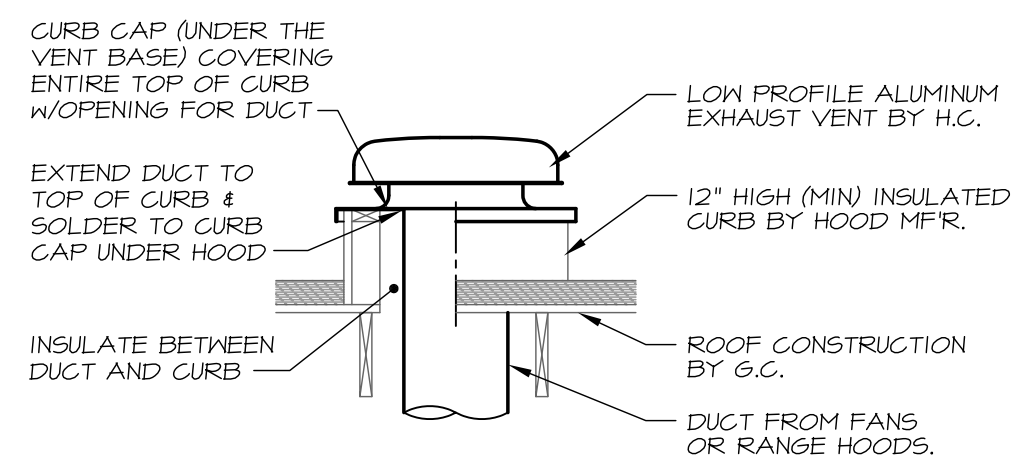
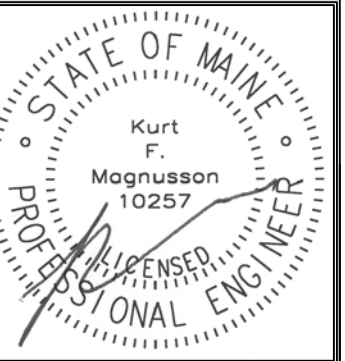
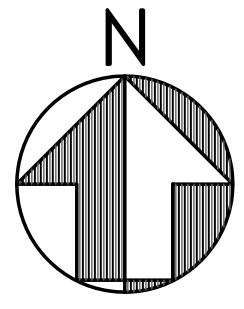


1 ROOF MECHANICAL PLAN
SCALE: 1/8" = 1'-0"



2 ROOFTOP EXHAUST VENTILATOR DETAIL
NO SCALE



Prepared For:
WESTBROOK HOUSING AUTHORITY

Westbrook, ME 04330

Consulting Engineer:
MECHANICAL SYSTEMS ENGINEERS
ROYAL RIVER CENTER, UNIT 108
10 FOREST FALLS (207) 842-3441
FACEBOOK: MECHANICAL SYSTEMS ENGINEERS
© COPYRIGHT 2016

Architect:
ARCHETYPE architects
48 Union Wharf Portland, Maine 04101
(207) 773-6022 ARCHETYPE@ARCHETYPEDA.COM

Project:
MILLBROOK ESTATES APARTMENTS
WESTBROOK, MAINE

Revisions:
1-04-2016 Bid Set

Date: 04 JAN. 2016
Scale: 1/8" = 1'-0"

ROOF MECHANICAL PLAN

M3
MSE PROJECT 1513