

Prepared For:
WESTBROOK HOUSING AUTHORITY
Westbrook, ME 04330

Consulting Engineer:
MECHANICAL SYSTEMS ENGINEERS
ROYAL RIVER CENTER UNIT 105
10 FOREST FALLS RD. WESTBROOK, MAINE 04095
FACEBOOK: MECHANICAL SYSTEMS ENGINEERS
© COPYRIGHT 2016

Architect:
ARCHETYPE architects
48 Union Wharf Portland, Maine 04101
(207) 772-6022 ARCHETYPE@ARCHETYPEPA.COM

Project:
MILLBROOK ESTATES APARTMENTS
WESTBROOK, MAINE

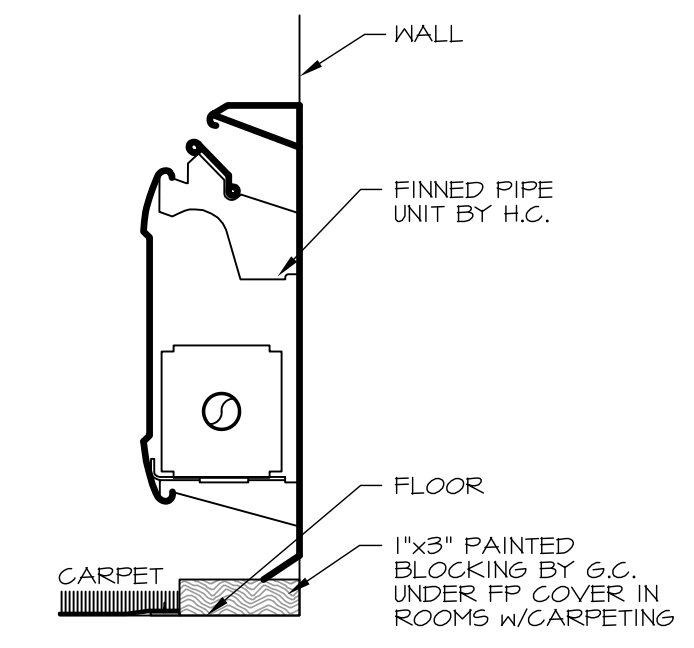
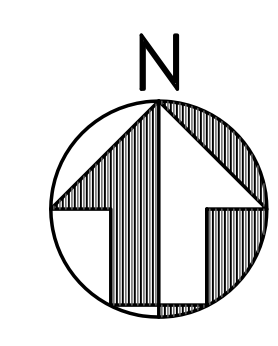
Revisions:
1-04-2016 Bid Set

Date:
04 JAN. 2016

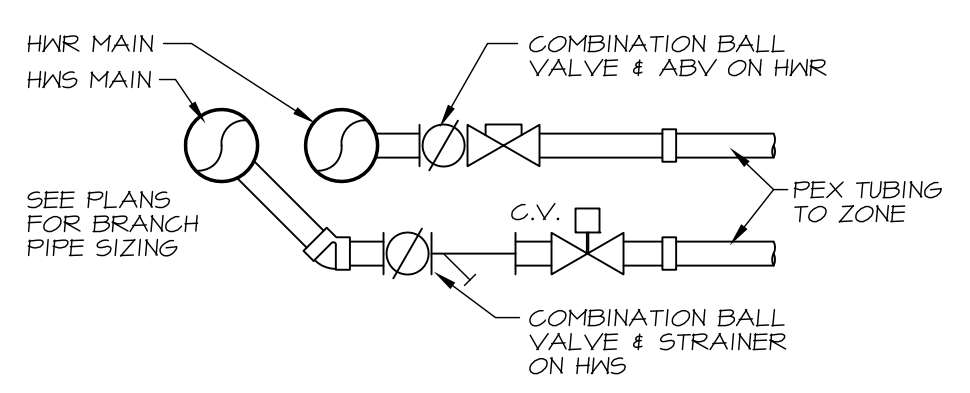
Scale:
1/8" = 1'-0"

3rd & 4th FLOORS MECHANICAL PLANS

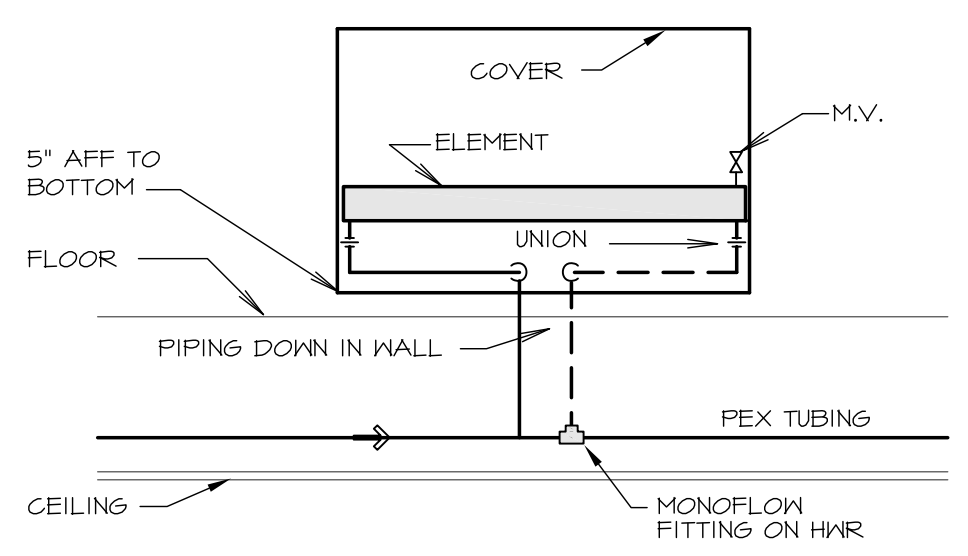
M2
MSE PROJECT 1513



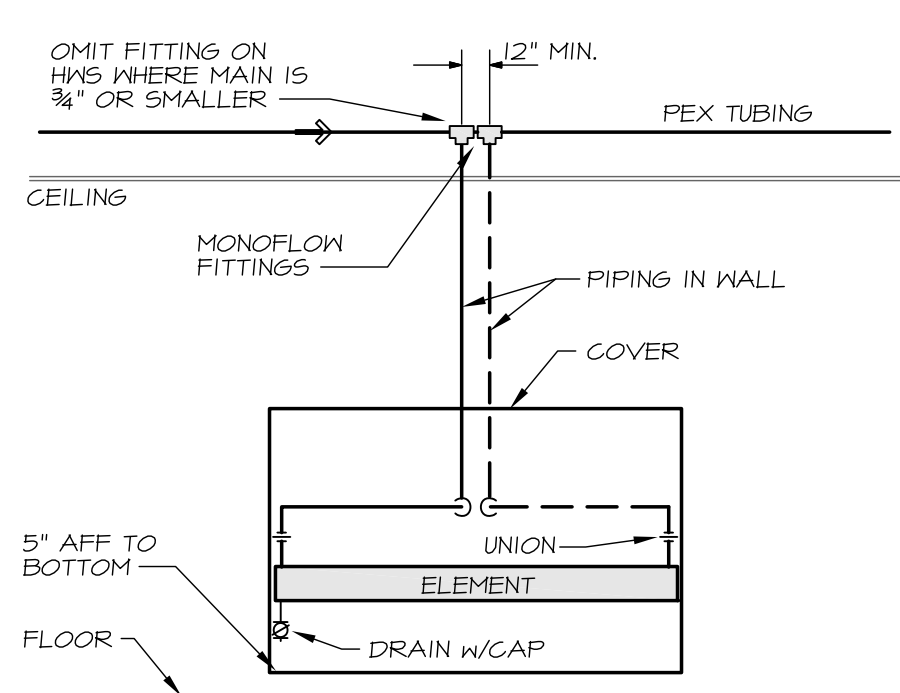
1 FINNED PIPE MOUNTING DETAIL
NO SCALE



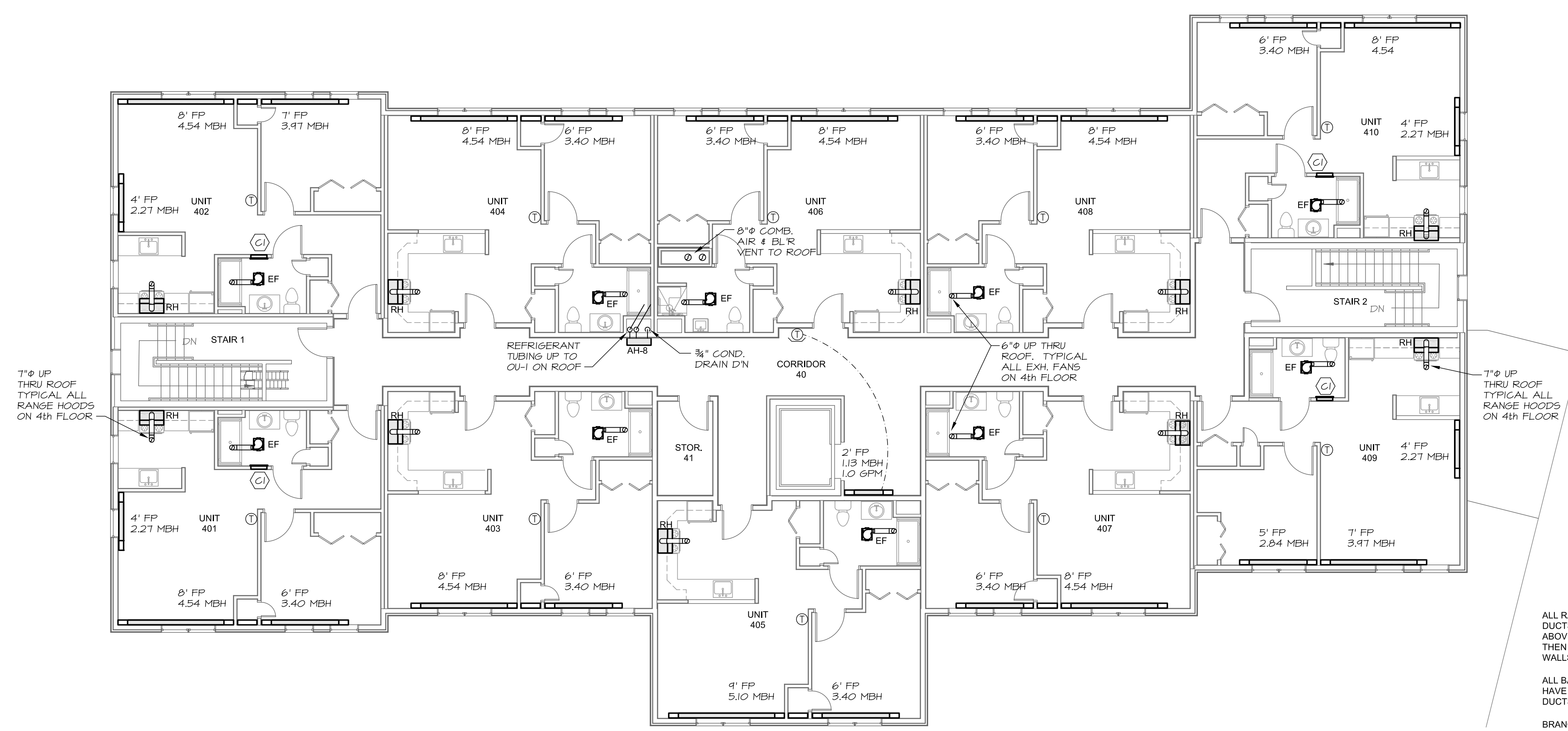
2 BRANCH PIPING CONNECTION AT MAINS
NO SCALE



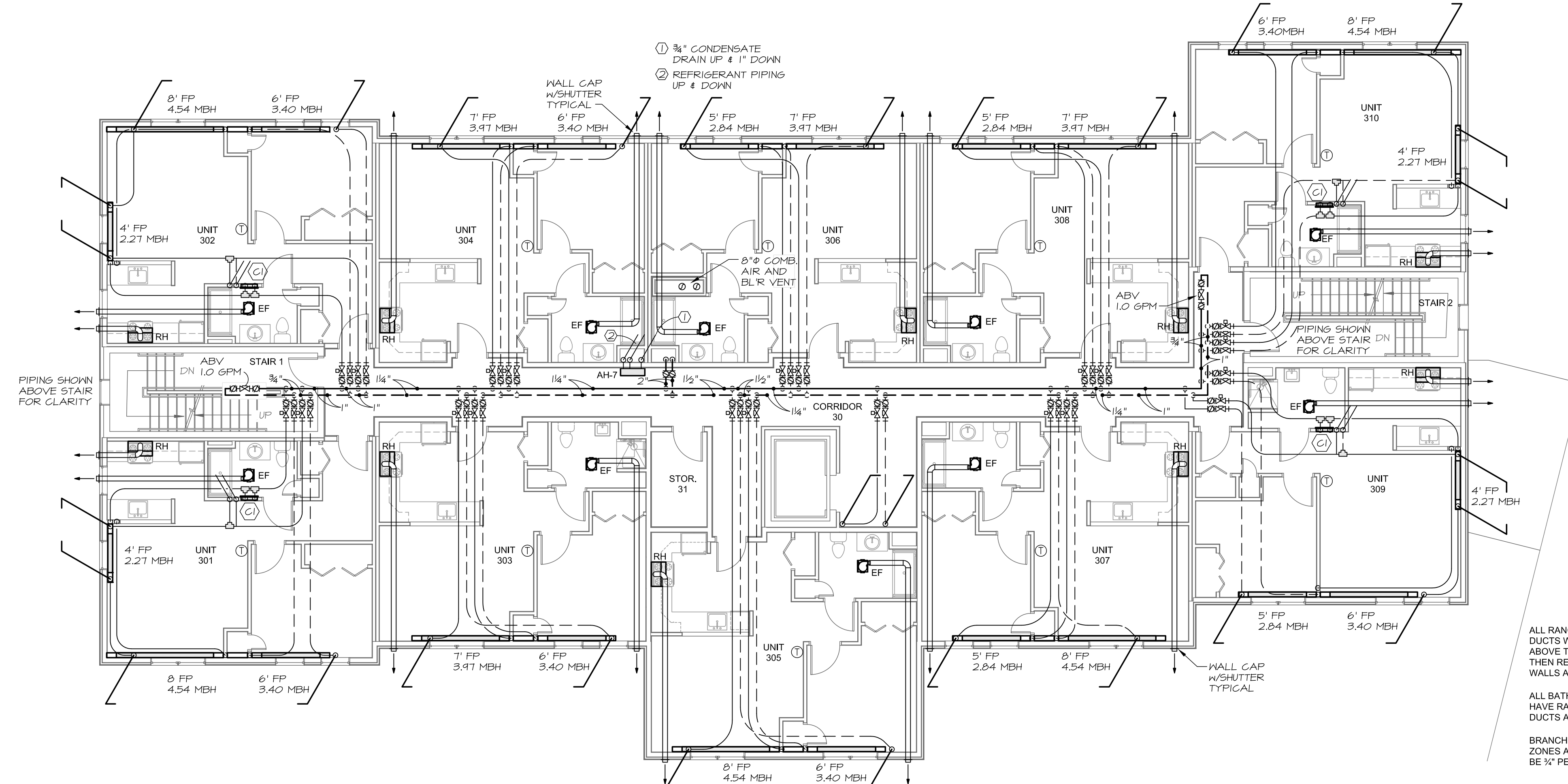
3 UPFEED CONVECTOR
NO SCALE



4 DOWNFEED CONVECTOR
NO SCALE



5 FOURTH FLOOR MECHANICAL PLAN
SCALE: 1/8" = 1'-0"



6 THIRD FLOOR MECHANICAL PLAN
SCALE: 1/8" = 1'-0"



December 11, 2015 3:44 pm
\\MEFSP\Projects\1513 Millbrook Estates\Drawings\1513_M1-M3.dwg