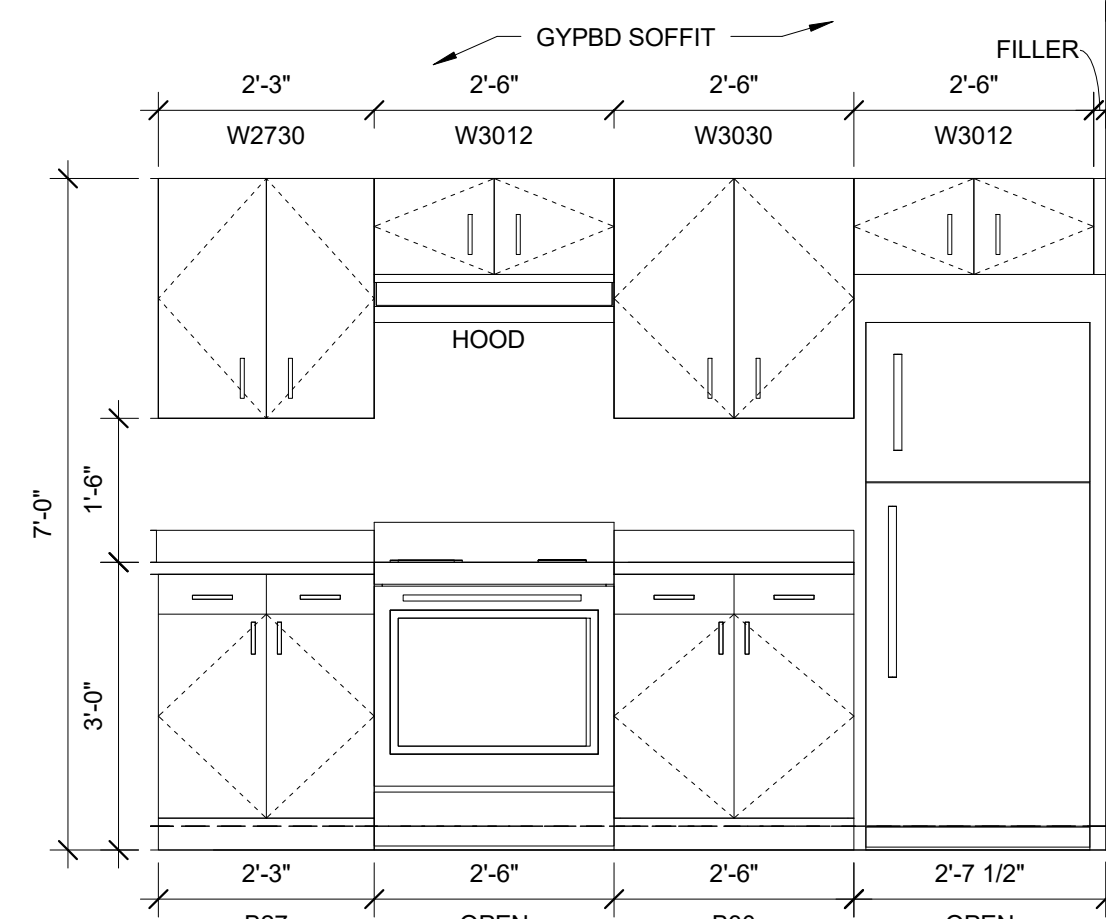
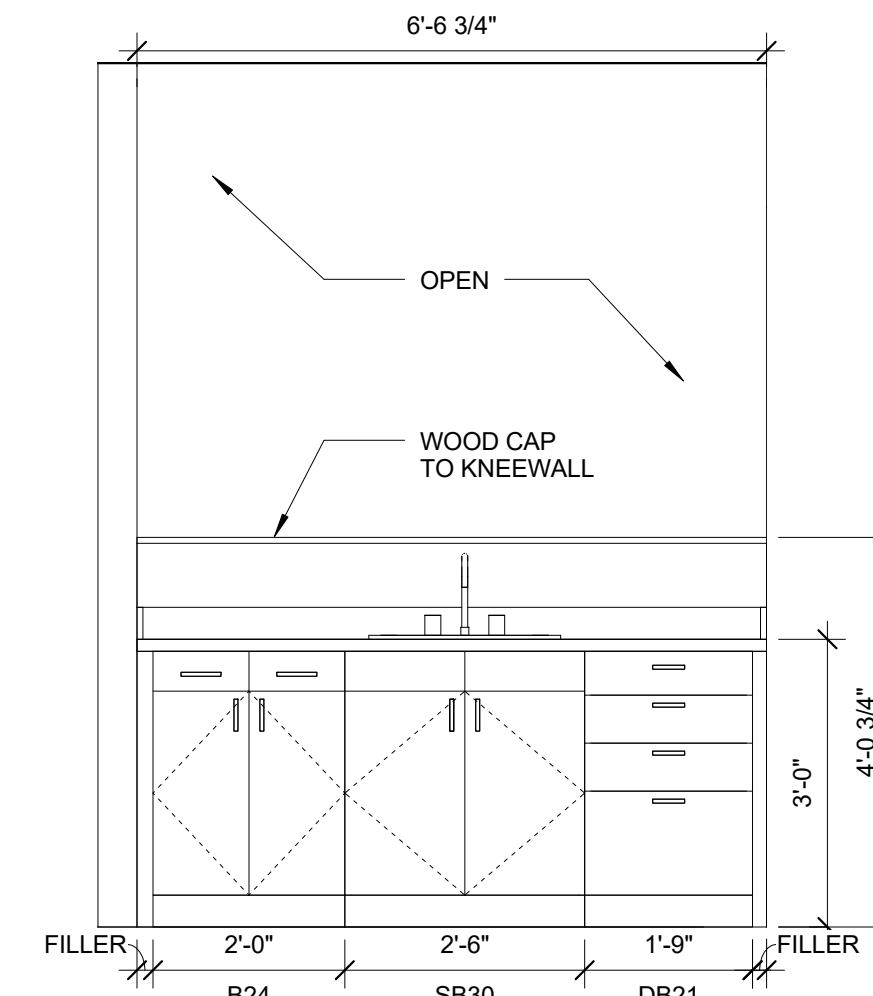


1 UNIT TYPE 1 (UNITS 101, 201, 301, 401)
ANSI 117.1 TYPE 'B' UNITS
114.2 CU. FT. GENERAL STORAGE
1/4" = 1'-0"

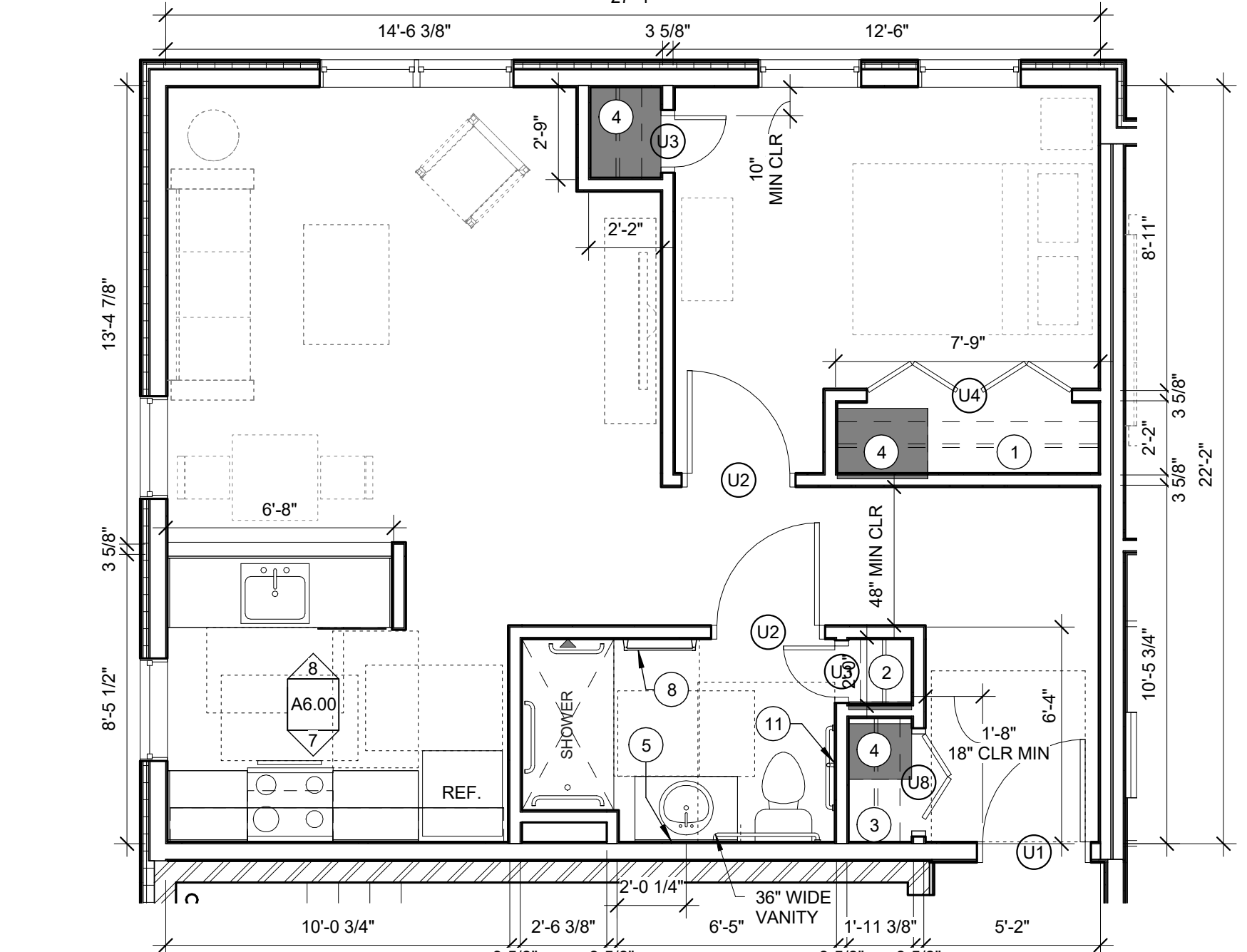


4 UNIT TYPE 1 KITCHEN ELEV.
1/2" = 1'-0"

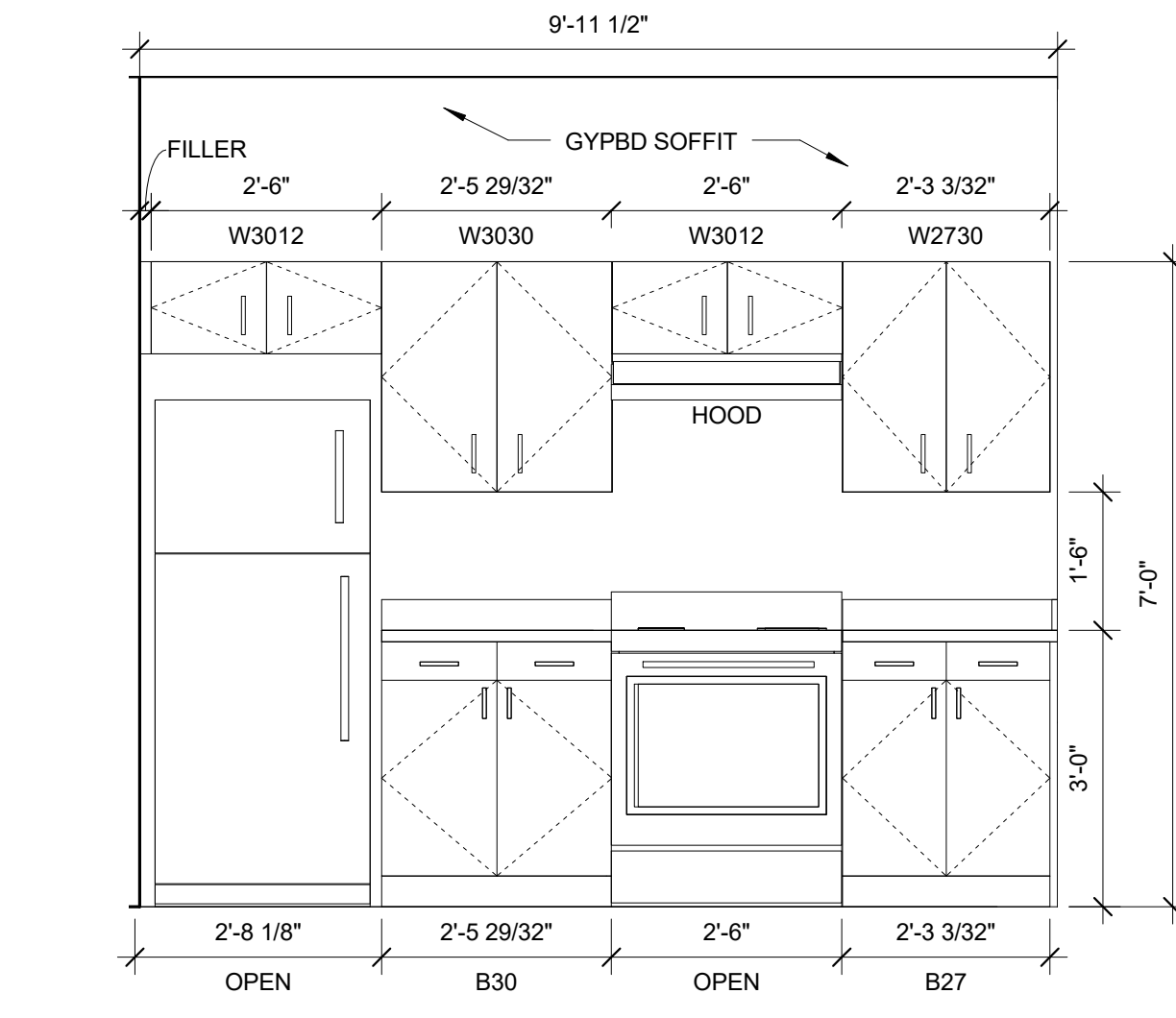


5 UNIT TYPE 1 KITCHEN ELEV.
1/2" = 1'-0"

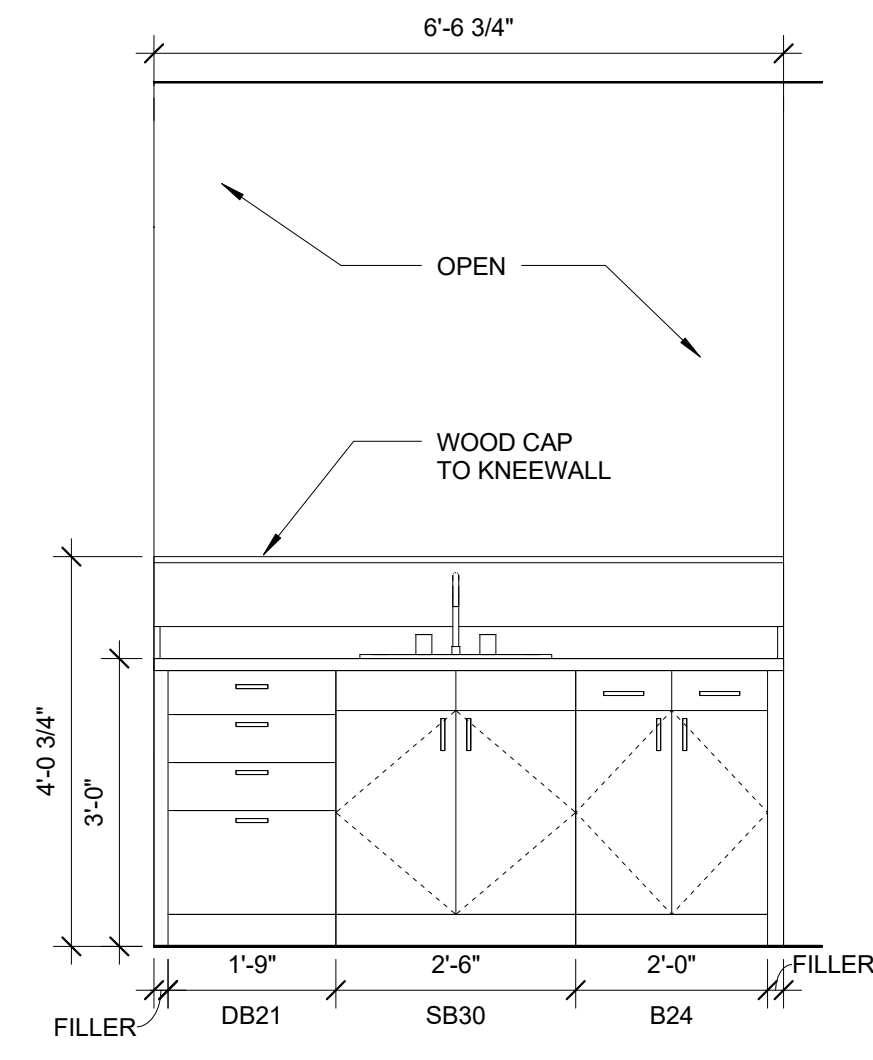
- TYPICAL UNIT STORAGE & BATHROOM ACCESSORIES LEGEND**
1. TYPICAL UNIT BEDROOM CLOSET
(1) 2'-0" DEEP x 5'-0" WIDE BY 8'-0" HIGH
 - 1A. EFFICIENCY UNIT BEDROOM CLOSET
(1) 2'-0" DEEP x 3'-0" WIDE BY 8'-0" HIGH
 2. LINEN STORAGE CLOSET
(1) 1'-6" DEEP x 1'-8" (MIN) WIDE BY 8'-0" HIGH. PROVIDE WITH (4) SHELVES SPACED AS SHOWN ON 2/A5.01 YIELDS 10 SF MINIMUM OF SHELVING AREA. IN ADAAG AND ANSI TYPE A UNITS SPACE SHELVES AS SHOWN ON 3/A5.01
 3. COAT CLOSET
(1) 2'-0" DEEP x 2'-0" DEEP BY 8'-0" HIGH.
 4. GENERAL STORAGE
TYPICAL FINISHED CEILING HEIGHT IS 8'-0". EACH LINEAR FOOT OF GENERAL STORAGE CLOSET YIELDS 16 CUBIC FEET OF STORAGE. TOTAL CUBIC FEET HAS BEEN INDICATED ON EACH UNIT AS MEETING OR EXCEEDING 100 CUBIC FEET FOR 1 BEDROOM UNITS, 50 CUBIC FEET FOR EFFICIENCIES. SEE CLOSET AREA. SHOWN IN DARK GREY.
 5. SURFACE MOUNTED MEDICINE CABINET WITH LIGHT REFER TO SPECIFICATIONS
 6. NOT USED
 7. NOT USED
 8. 24" TOWEL BAR
 9. 18" TOWEL BAR
 10. TAYMOR 01-9404 TOWEL RING
 11. TOILET PAPER HOLDER
- ▼ = WALL WHERE SHOWER CONTROLS & SHOWER HEAD MUST BE LOCATED



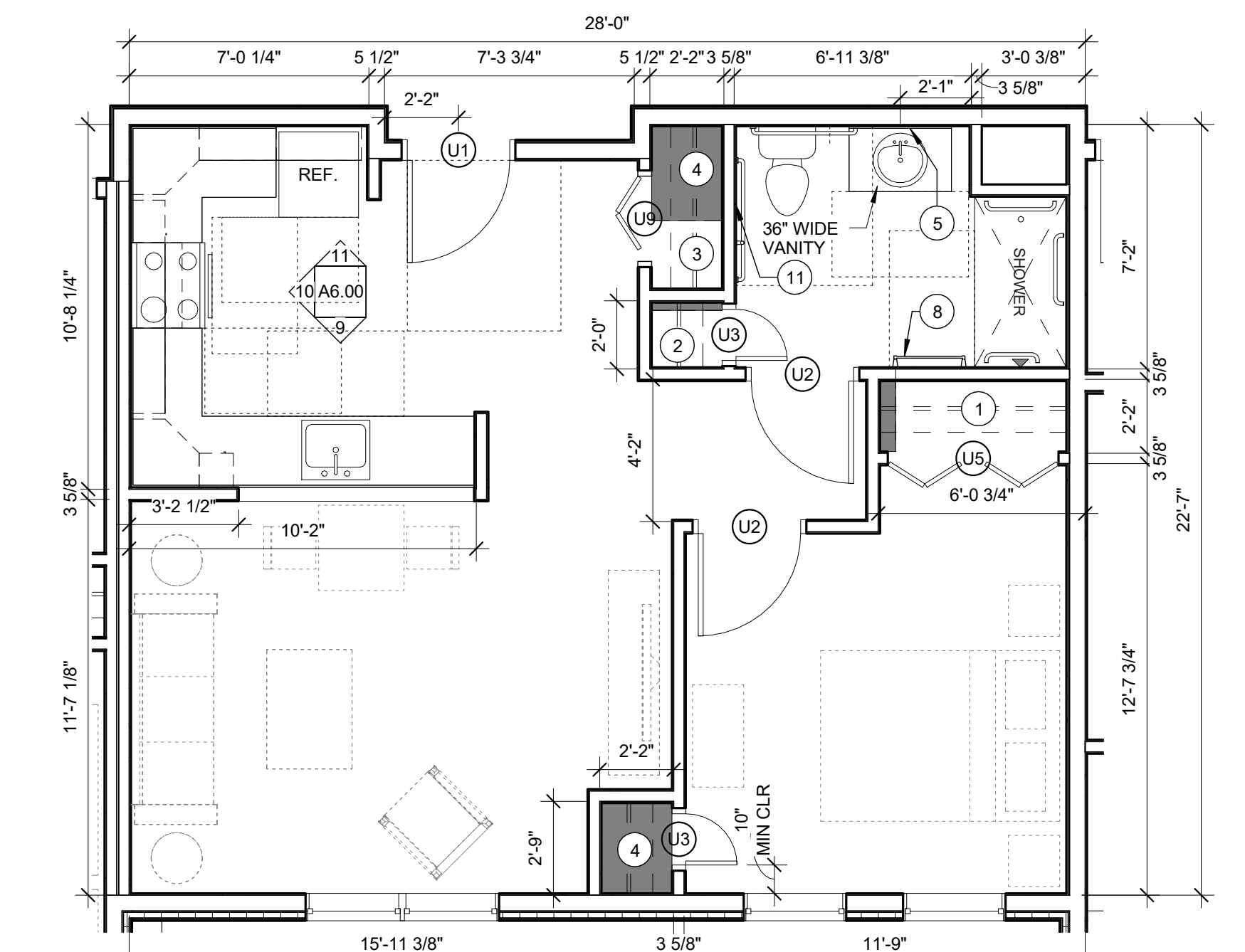
2 UNIT TYPE 2 (UNITS 102, 202, 302, 402)
ANSI 117.1 TYPE 'B' UNITS
114.6 CU. FT. GENERAL STORAGE
1/4" = 1'-0"



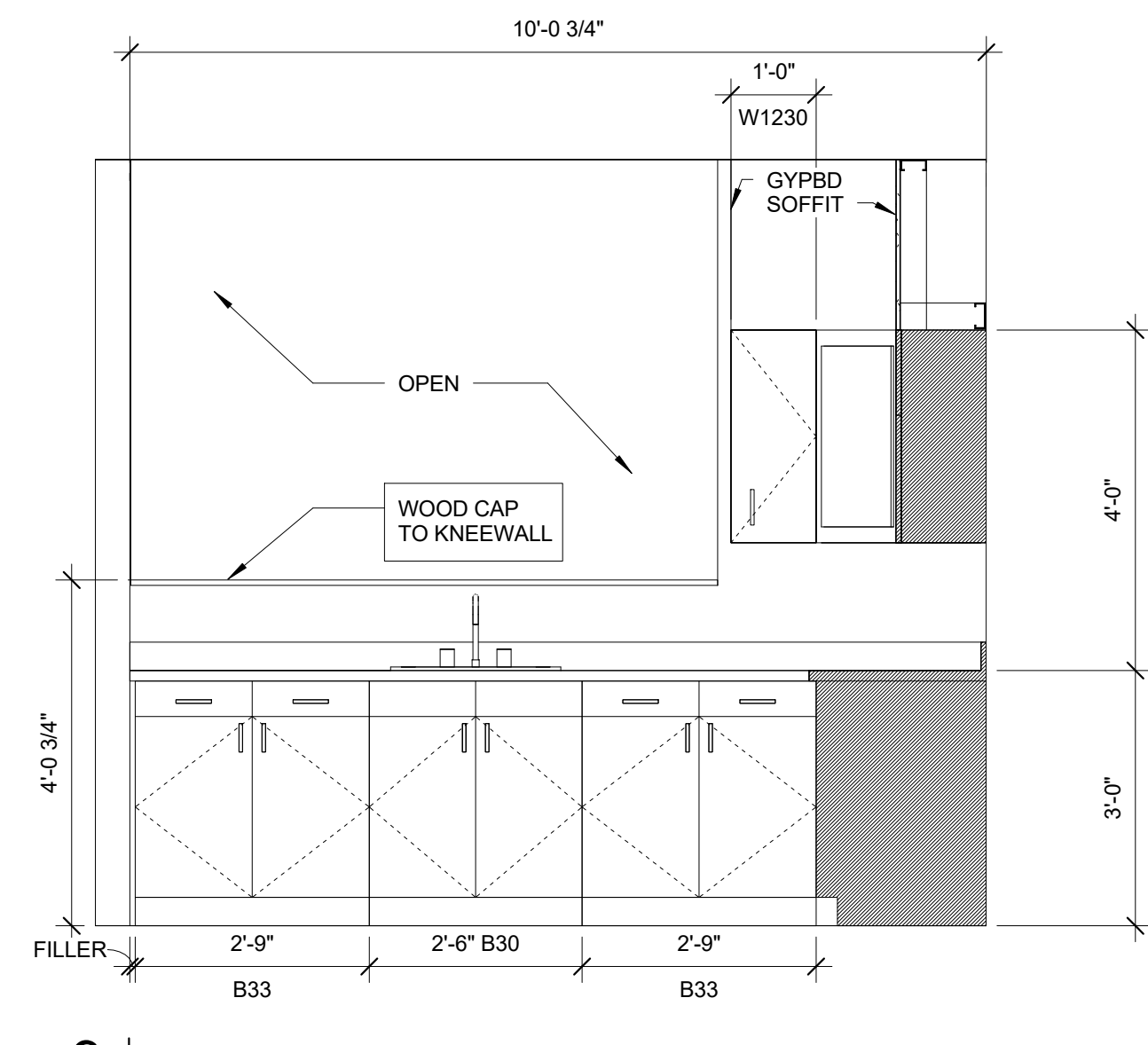
7 UNIT TYPE 2 KITCHEN ELEV.
1/2" = 1'-0"



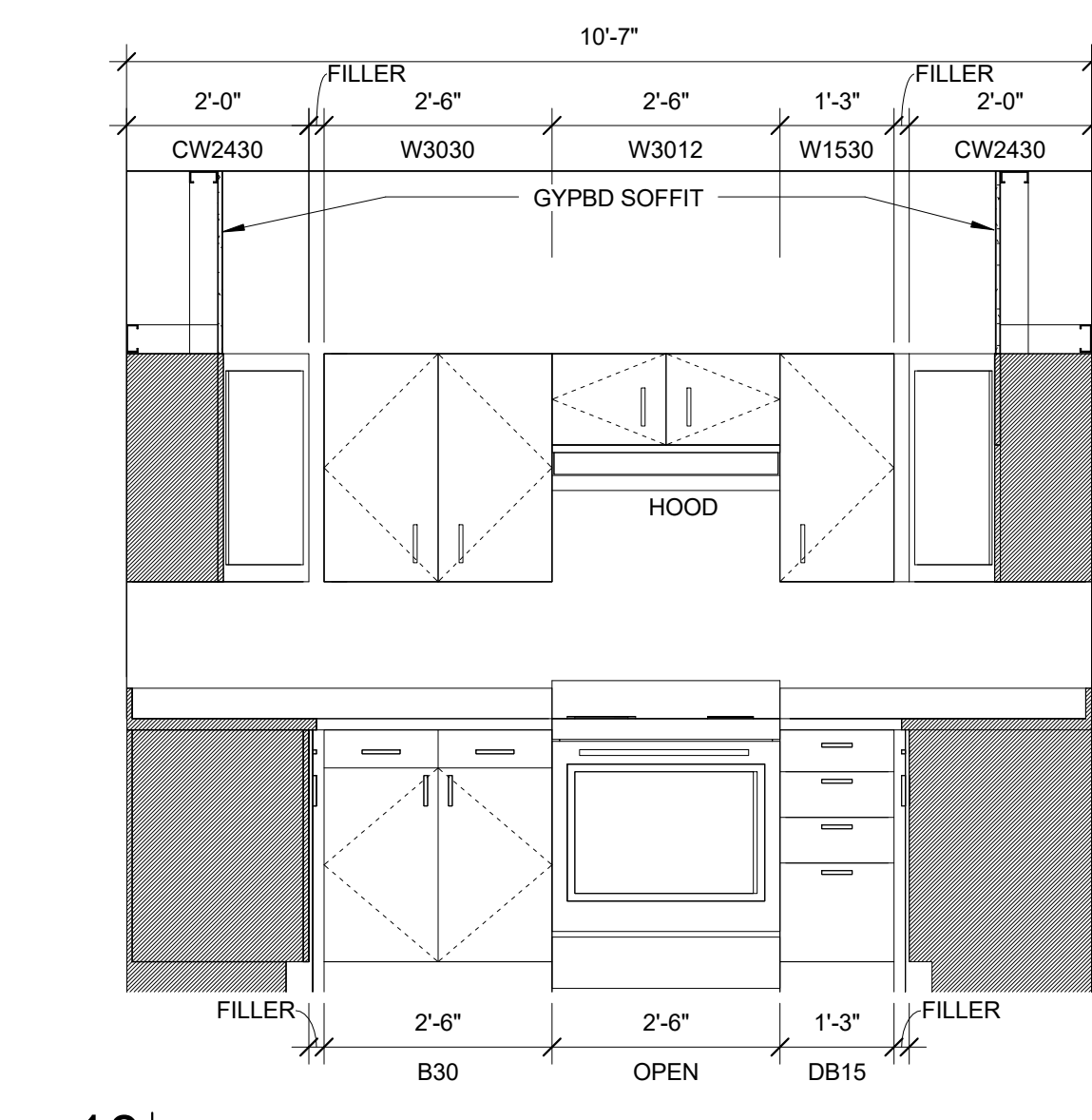
8 UNIT TYPE 2 KITCHEN ELEV.
1/2" = 1'-0"



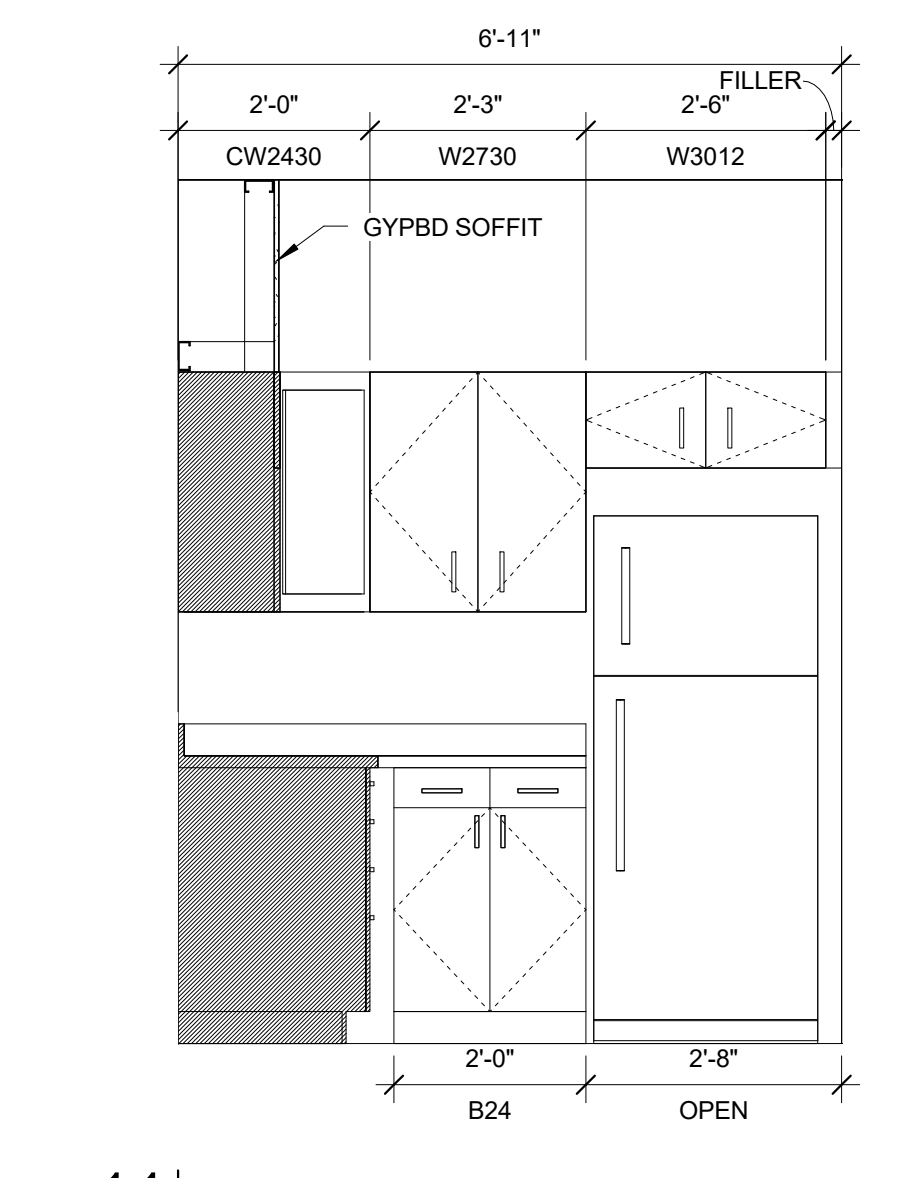
3 UNIT TYPE 3 (UNITS 103, 109, 203, 403)
ANSI 117.1 TYPE 'B' UNITS
100.6 CU. FT. GENERAL STORAGE
1/4" = 1'-0"



9 UNIT TYPE 3 KITCHEN ELEV.
1/2" = 1'-0"



10 UNIT TYPE 3 KITCHEN ELEV.
1/2" = 1'-0"



11 UNIT TYPE KITCHEN ELEV.
1/2" = 1'-0"

Prepared For:
Westbrook Development Corp. & Millbrook Estates LLP
Address
City, State

Consultant:
ARCHETYPE architects
48 Union Wharf Portland, Maine 04101
(207) 772-6022 ARCHETYPE@ARCHETYPEPA.COM

Architect:
MILLBROOK ESTATES
300 East Bridge Street
Westbrook, ME 04092

Revisions:
Date: 10 AUG 2015
Scale: As indicated
UNIT PLANS

A6.00