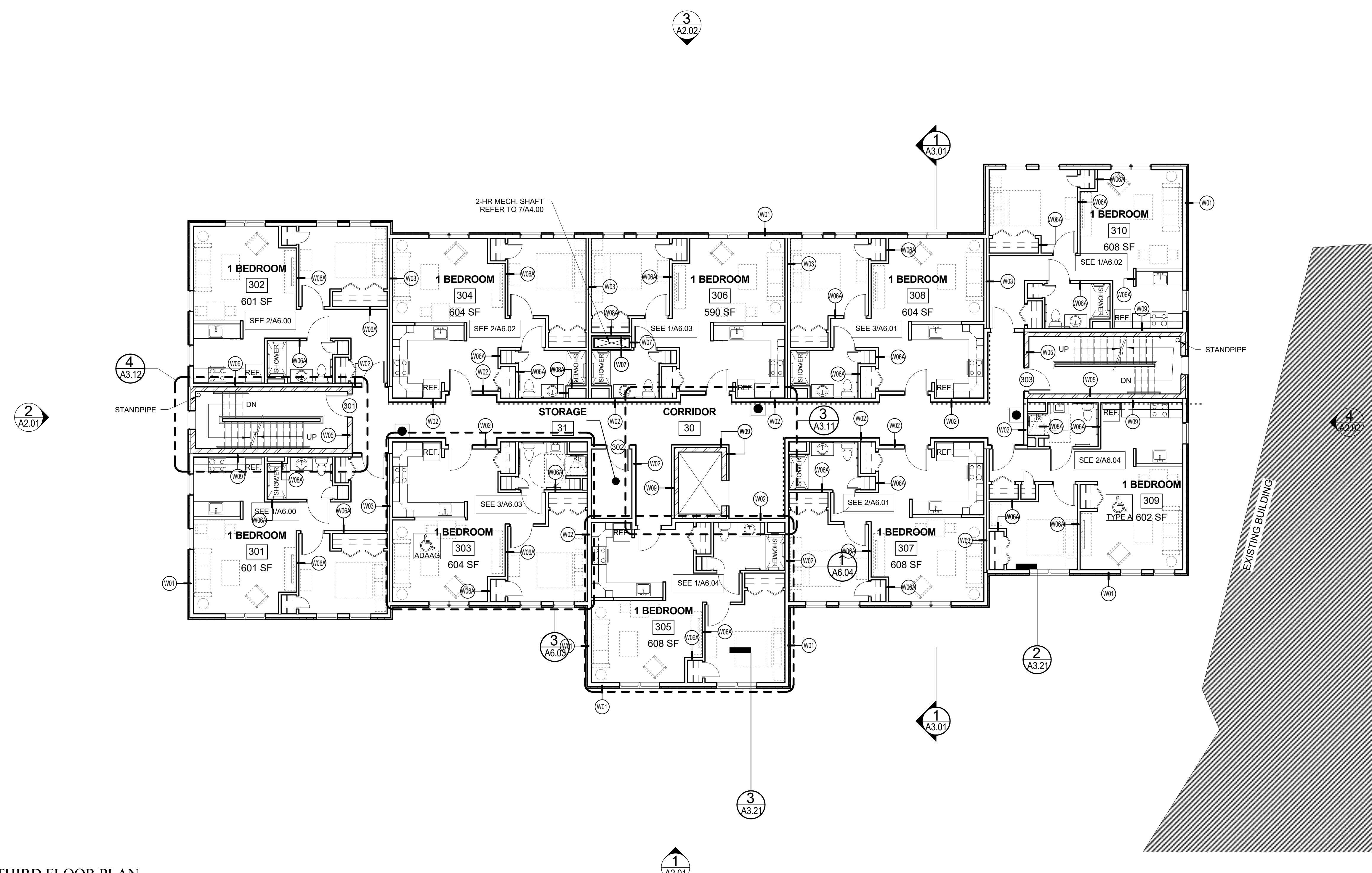


**LEGEND:**

BUILDING SECTION	
WALL SECTION	
SECTION DETAIL	
PLAN DETAIL	
WALL TYPE	
FLOOR TYPE	

NEW WALL - STUD & GYP. BD.	
NEW CMU WALL	
SEMI RECESSED FIRE EXTINGUISHER CABINET	
INTERNATIONAL SYMBOL OF ACCESSIBILITY	
INTERNATIONAL SYMBOL OF ACCESS FOR HEARING LOSS	
NEW DOOR	
NEW FLOOR ON NEW FRAMING- SEE STRUCTURAL	
NEW CONCRETE FLOOR	



**1** | THIRD FLOOR PLAN  
1/8" = 1'-0"

Prepared For:  
Westbrook Development  
Corp. & Millbrook Estates  
LLP  
Address  
City, State

Consultant:  
**ARCHETYPE**  
architects  
48 Union Wharf Portland, Maine 04101  
(207) 772-6022 ARCHETYPE@ARCHETYPEPA.COM

Project:  
**MILLBROOK ESTATES**  
300 East Bridge Street  
Westbrook, ME 04092

Revisions:  
Date: 10 AUG 2015  
Scale: As indicated  
**THIRD FLOOR PLAN**

**A1.03**