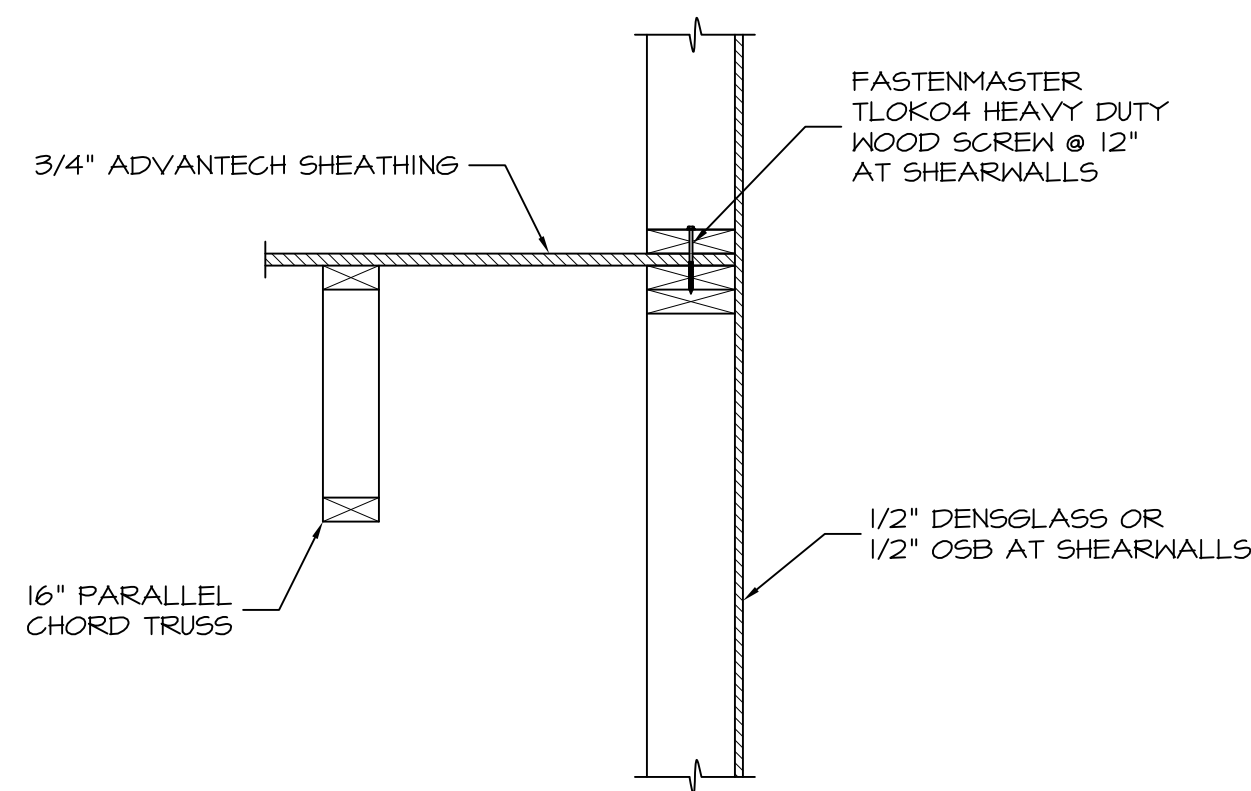
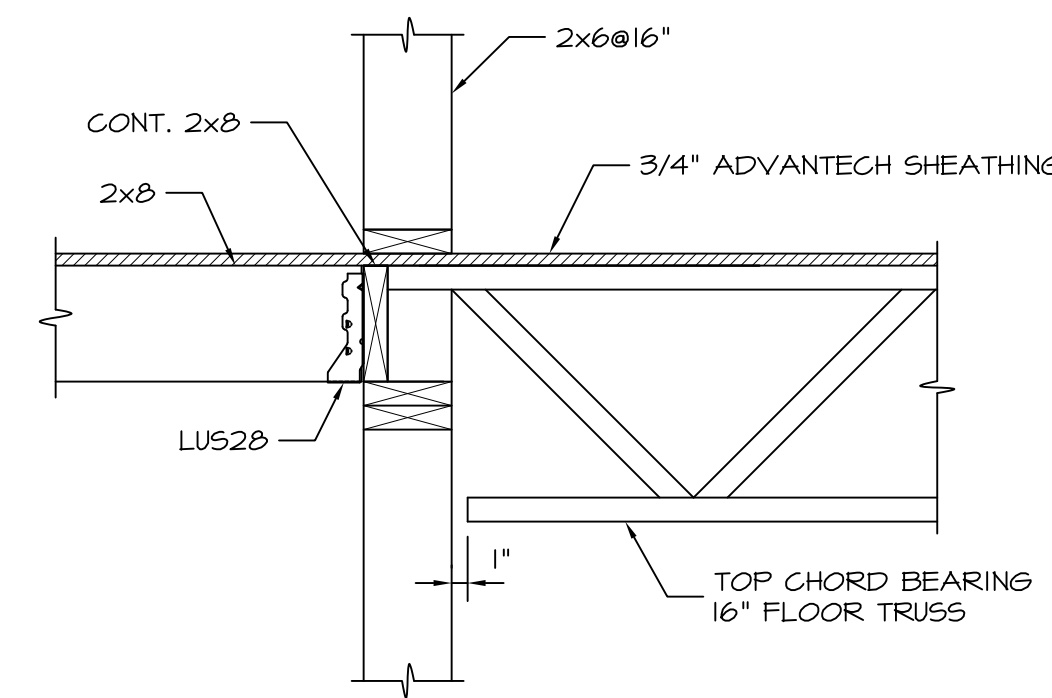


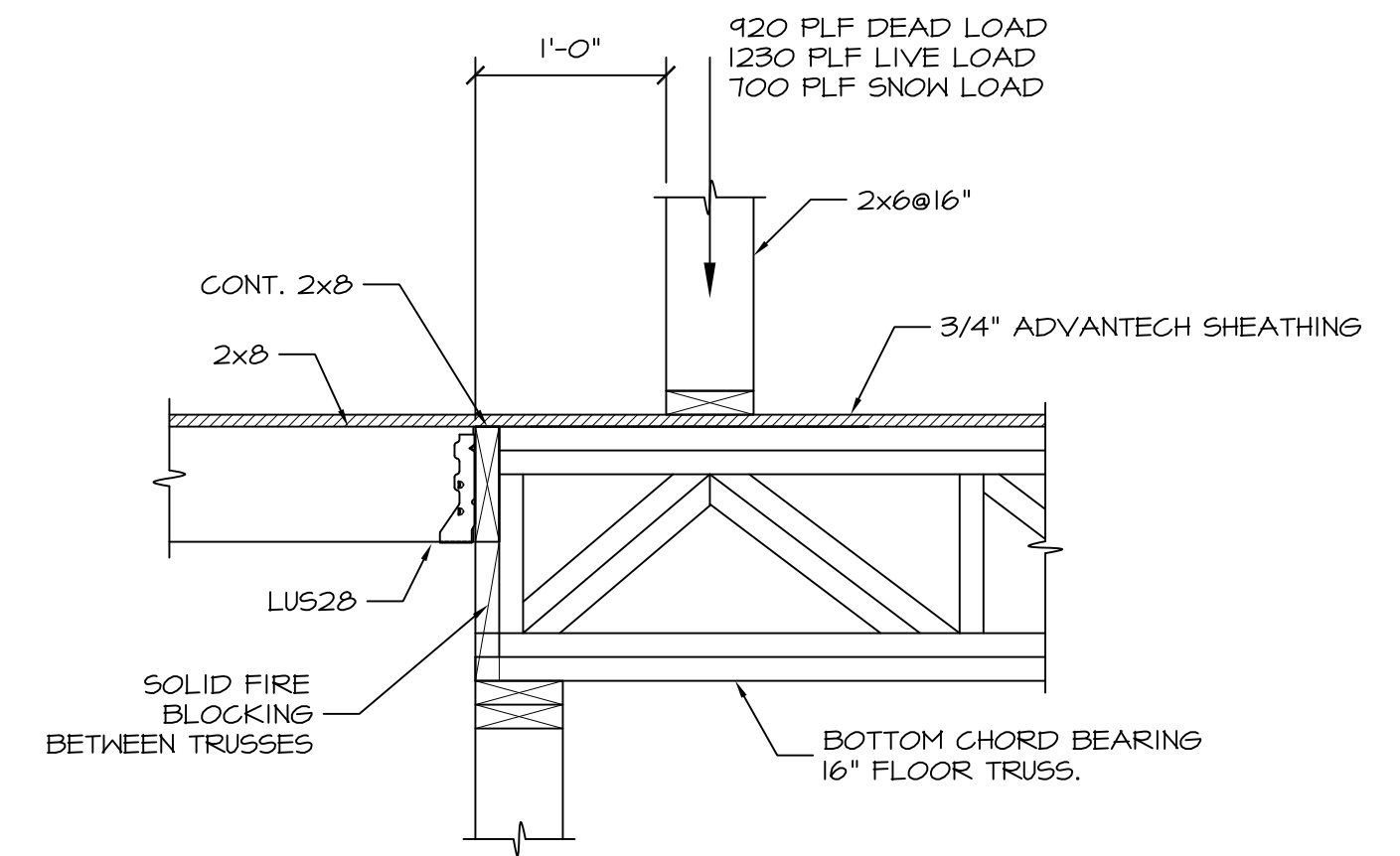
SECTION 1
1"=1'-0" S1.02
S1.03
S1.04



SECTION 2
1"=1'-0" S1.02
S1.03
S1.04

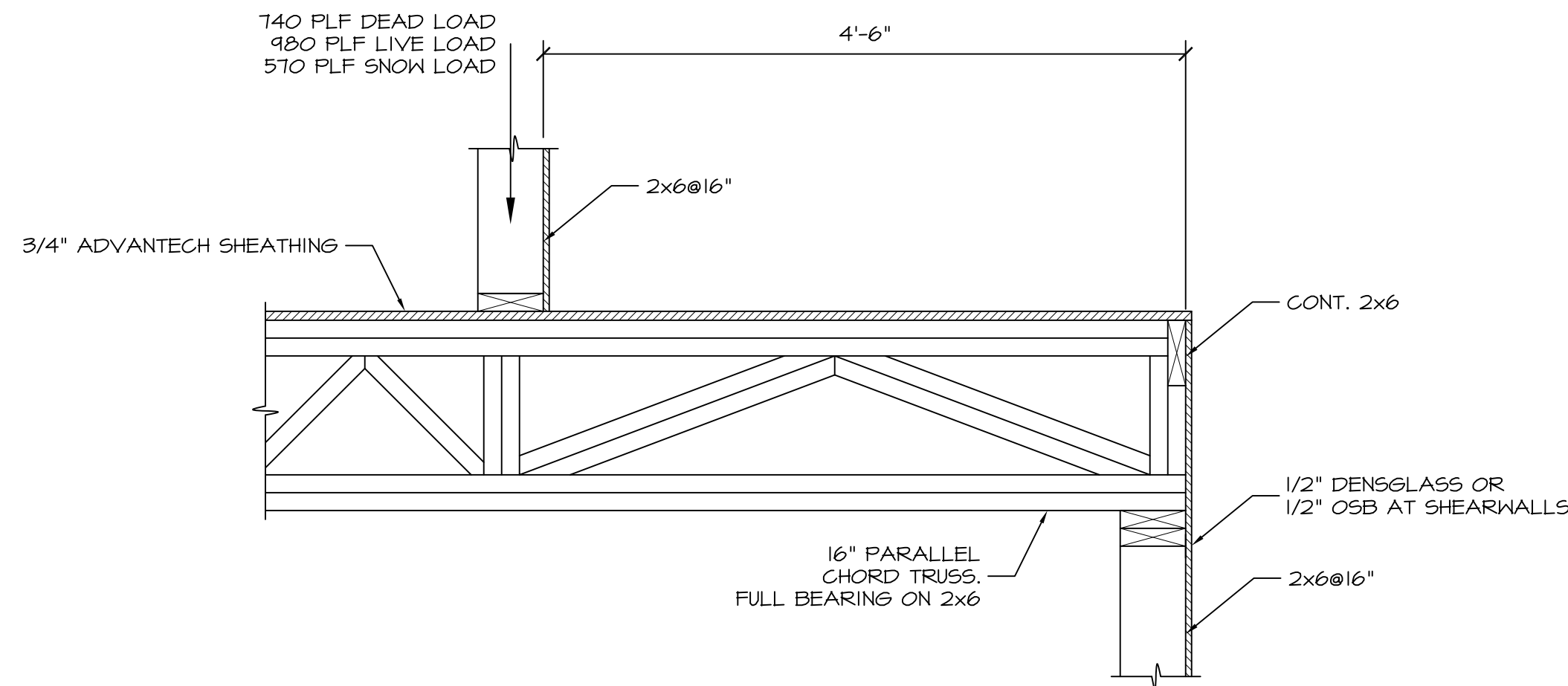


SECTION 3
1"=1'-0" S1.02
S1.03
S1.04

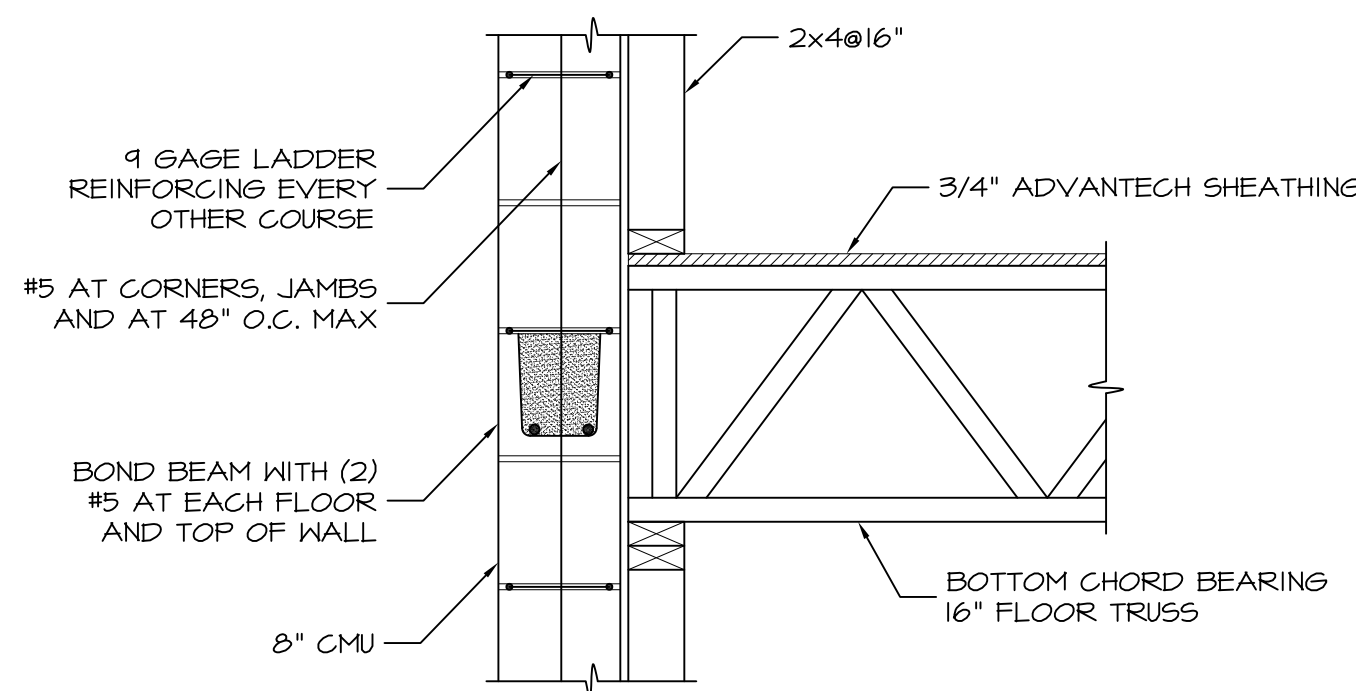


SECTION 4
1"=1'-0" S1.02

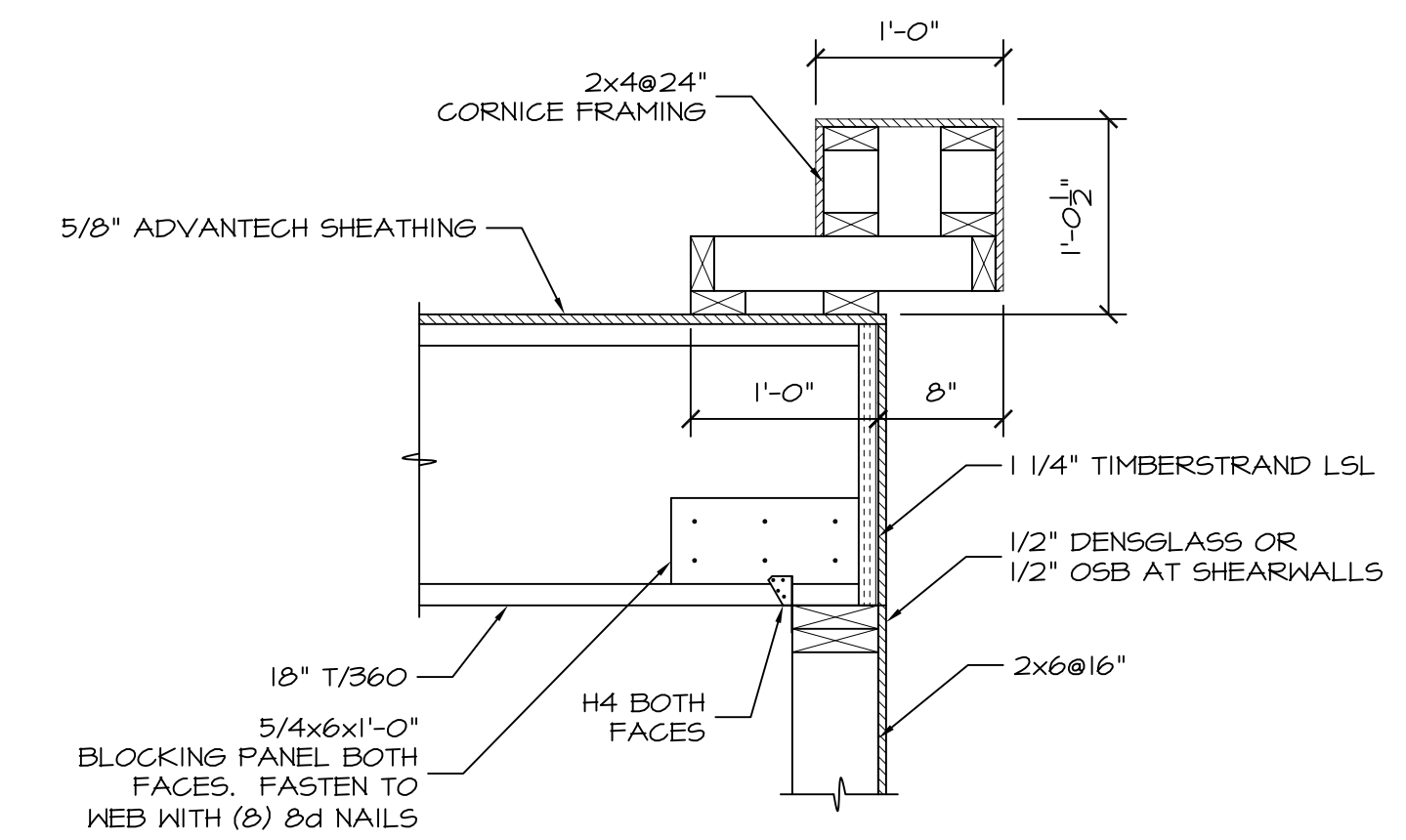
SECTION APPLIES ONLY WHERE UPPER CORRIDOR BEARING WALL DOES NOT ALIGN WITH LOWER CORRIDOR BEARING WALL



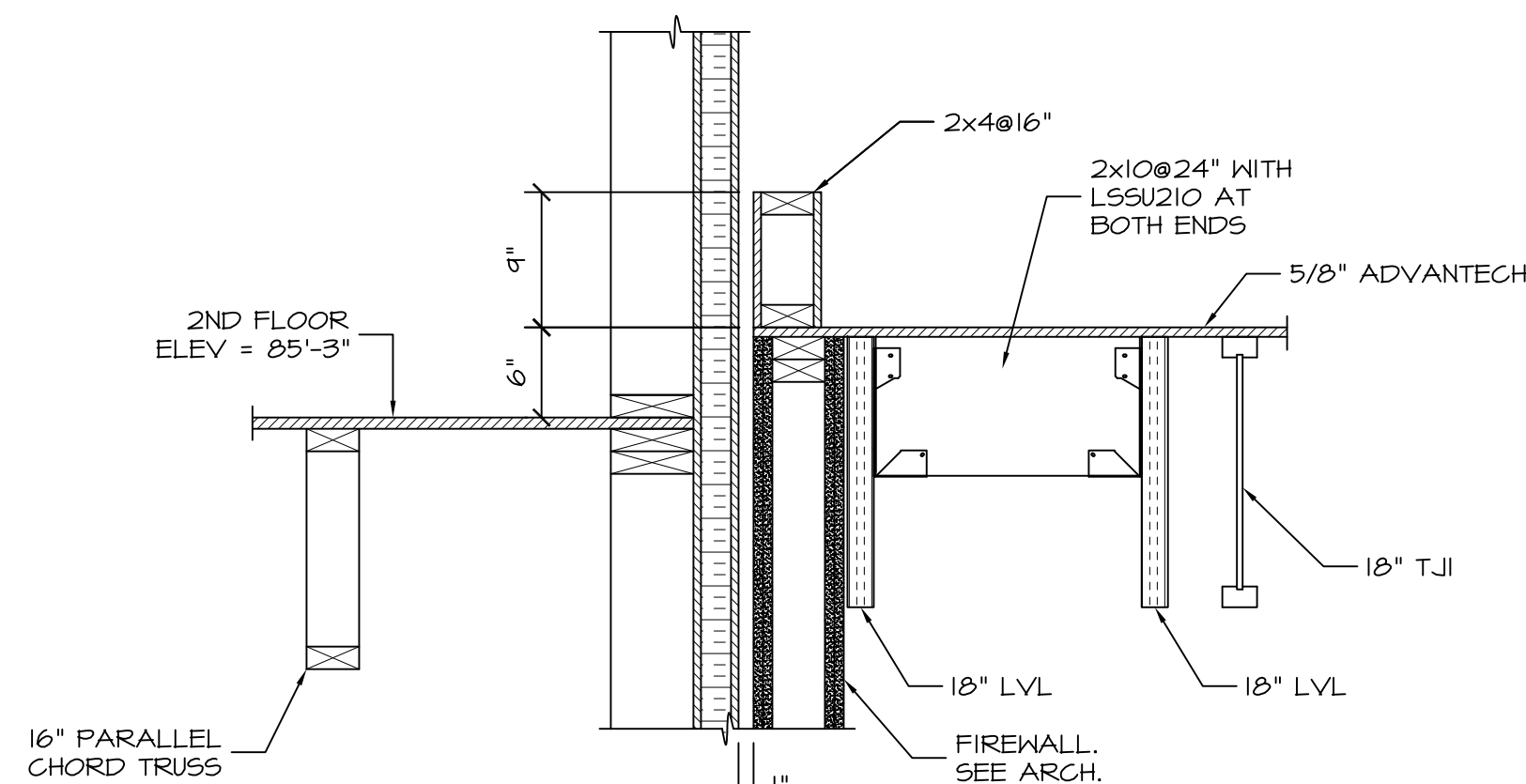
SECTION 5
1"=1'-0" S1.02



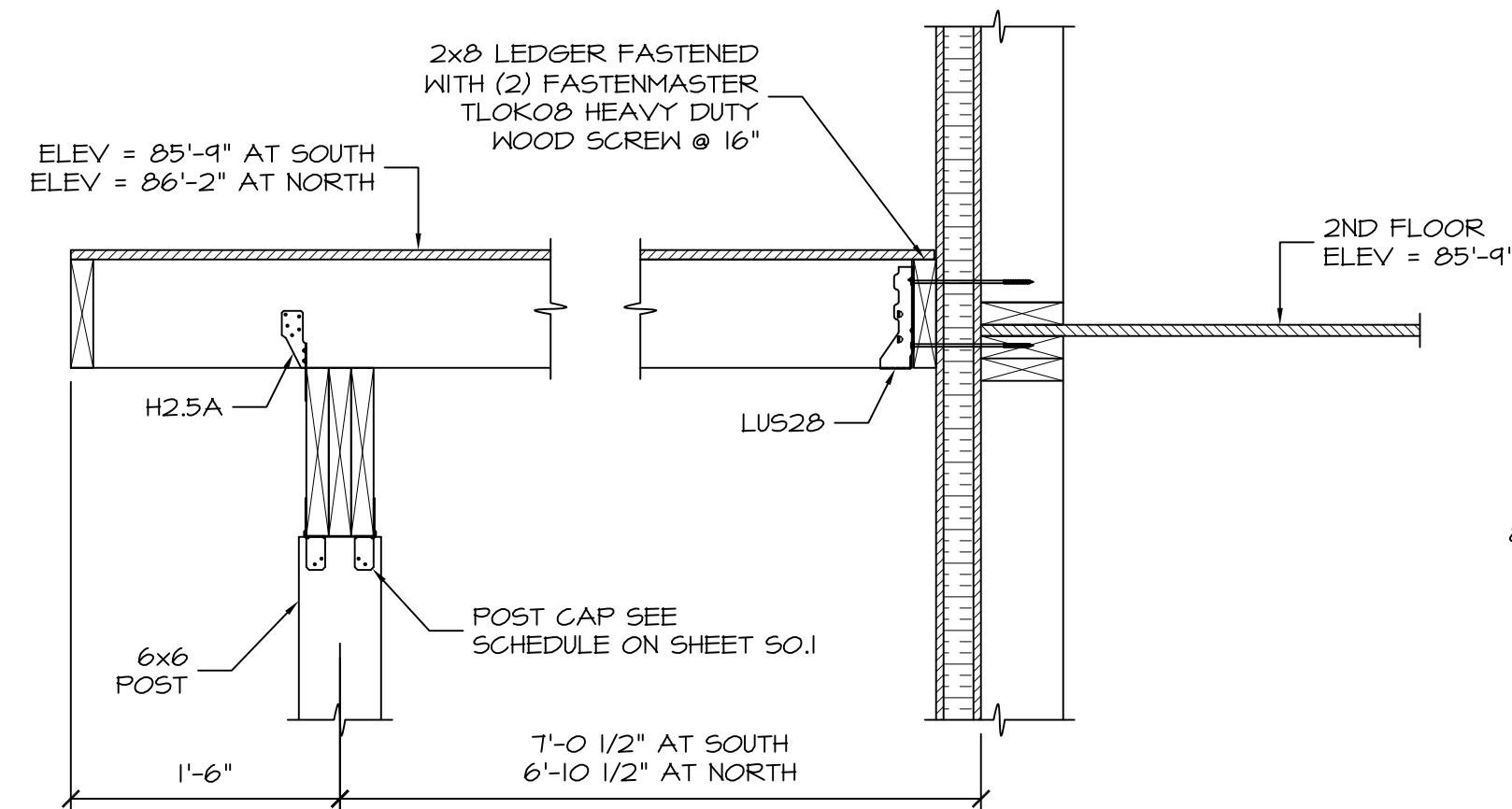
SECTION 6
1"=1'-0" S1.02
S1.03
S1.04



SECTION 7
1"=1'-0" S1.05

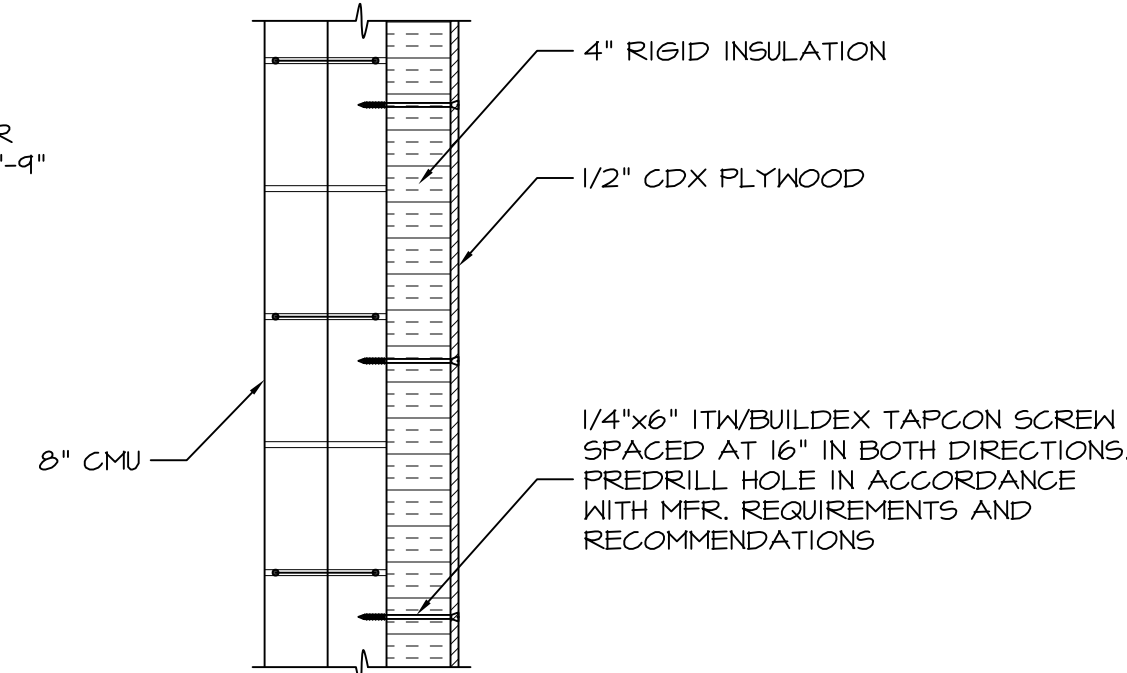


SECTION 8
1"=1'-0" S1.02
SEE SECTION 2 FOR ADDITIONAL INFORMATION

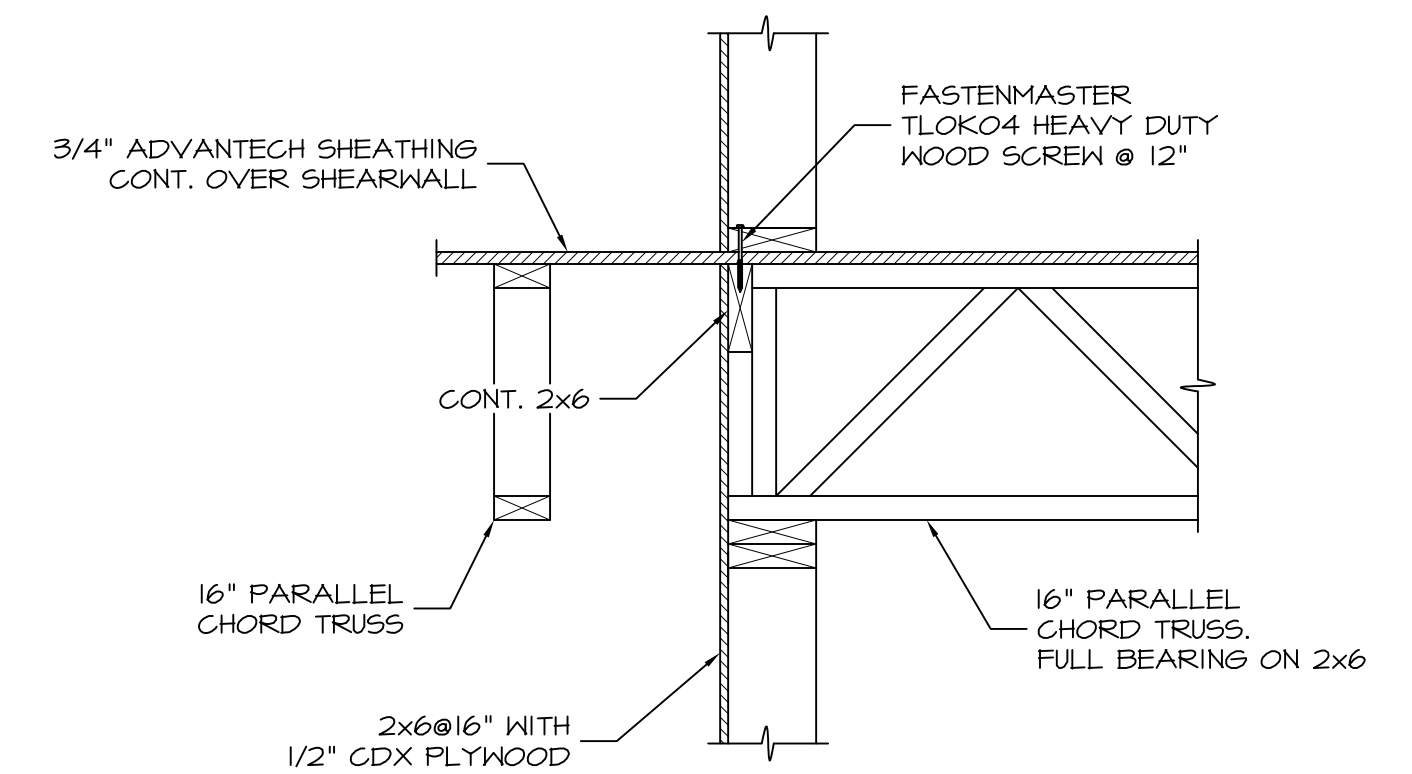


SECTION 9
1"=1'-0" S1.02

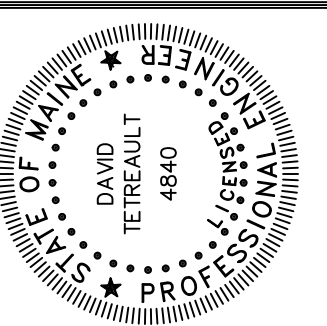
SEE SECTION 2 FOR ADDITIONAL INFORMATION



SECTION 10
1"=1'-0" S1.02
S1.03
S1.04

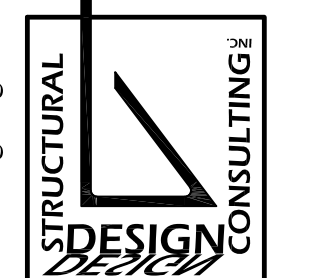


SECTION 11
1"=1'-0" S1.02
S1.03
S1.04



Prepared For:
WESTBROOK DEVELOPMENT CORPORATION
MILLBROOK ESTATES II, LP
30 Liza Harmon Drive
Westbrook, Maine 04092

2696 Lake Shore Road
Unit 300
Glenport, ME 04049
Tel 603.293.8038



Architect:
ARCHETYPE architects
48 Union Wharf Portland, Maine 04101
(207) 772-6022 Fax (207) 772-4056

Project:
MILLBROOK ESTATES
SENIOR HOUSING
300 East Bridge Street
Westbrook, Maine

Revisions:	09/01/15	01/04/16
90% MSHA Submission Issued for Bid		

Date: 04 JAN 2016
Scale: 1/8"=1'-0"

FRAMING SECTIONS

S2.02