

FIG. 302.3 - OPENINGS IN FLOOR OR GROUND SURFACES
 FIG. 303.2 - VERTICAL CHANGES IN LEVEL
 FIG. 303.3 - BEVELED CHANGES IN LEVEL
 FIG. 306.3 - KNEE CLEARANCE
 FIG. 307.2 - LIMITS OF PROTRUDING OBJECTS
 FIG. 308.2.1 - UNOBSTRUCTED FORWARD REACH
 FIG. 308.2.2 - OBSTRUCTED HIGH FORWARD REACH
 FIG. 308.3.1 - UNOBSTRUCTED SIDE REACH
 FIG. 308.3.2 - OBSTRUCTED SIDE REACH
 FIRE EXTINGUISHING CABINET MOUNTING HEIGHT

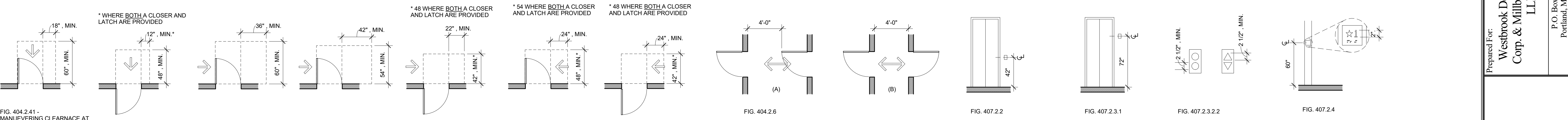


FIG. 404.2.4.1 - MANEUVERING CLEARANCE AT SWING DOOR
 FIG. 404.2.6 - TWO DOORS IN A SERIES (A) AND (B)
 FIG. 407.2.2 - ELEV. CALL BUTTONS
 FIG. 407.2.3.1 - HEIGHT OF ELEV. VISIBLE SIGNALS
 FIG. 407.2.3.2.2 - SIZE OF ELEV. VISIBLE SIGNALS
 FIG. 407.2.4 - TACTILE CHARACTERS ON ELEV. HOISTWAY ENTRANCES

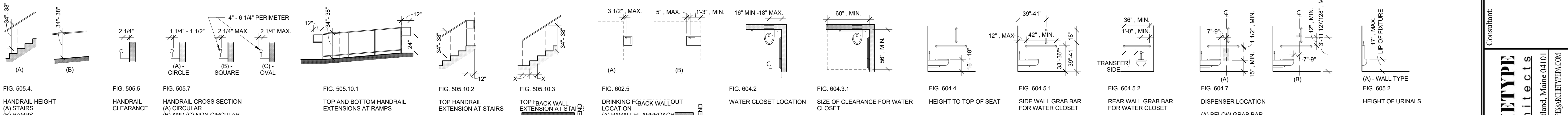


FIG. 505.4 - HANDRAIL HEIGHT (A) STAIRS (B) RAMPS
 FIG. 505.5 - HANDRAIL CLEARANCE
 FIG. 505.7 - HANDRAIL CROSS SECTION (A) CIRCULAR (B) AND (C) NON CIRCULAR
 FIG. 505.10.1 - TOP AND BOTTOM HANDRAIL EXTENSIONS AT RAMPS
 FIG. 505.10.2 - TOP HANDRAIL EXTENSION AT STAIRS
 FIG. 505.10.3 - DRINKING FOUNTAIN LOCATION (A) PARALLEL APPROACH (B) FORWARD APPROACH
 FIG. 604.2 - WATER CLOSET LOCATION
 FIG. 604.3.1 - SIZE OF CLEARANCE FOR WATER CLOSET
 FIG. 604.4 - HEIGHT TO TOP OF SEAT
 FIG. 604.5.1 - SIDE WALL GRAB BAR FOR WATER CLOSET
 FIG. 604.5.2 - REAR WALL GRAB BAR FOR WATER CLOSET
 FIG. 604.7 - DISPENSER LOCATION (A) BELOW GRAB BAR (B) ABOVE GRAB BAR
 FIG. 605.2 - HEIGHT OF URINALS (A) - WALL TYPE (B) - LIP OF FIXTURE

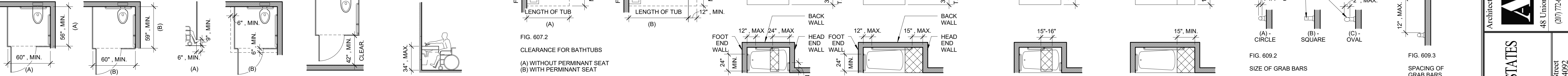


FIG. 604.8.1.1 - WHEELCHAIR ACCESSIBLE TOILET COMPARTMENTS (A) WALL-HUNG WATER CLOSET (B) FLOOR-MOUNTED WATER CLOSET
 FIG. 604.8.1.4 - TOILET COMPARTMENT TOES CLEARANCE (A) ELEVATION (B) PLAN
 FIG. 604.8.3 - TOILET COMPARTMENT DOORS
 FIG. 606.3 - HEIGHT OF LAVATORIES AND SINKS
 FIG. 607.4.2 - GRAB BARS FOR BATHTUB WITHOUT PERMANENT SEATS SECTION AND PLAN
 FIG. 607.4.1 - GRAB BARS FOR BATHTUB WITH PERMANENT SEATS SECTION AND PLAN
 FIG. 610.2 - BATHTUB SEAT (A) REMOVABLE IN-TUB SEAT SECTION AND PLAN (B) PERMANENT SEAT SECTION AND PLAN

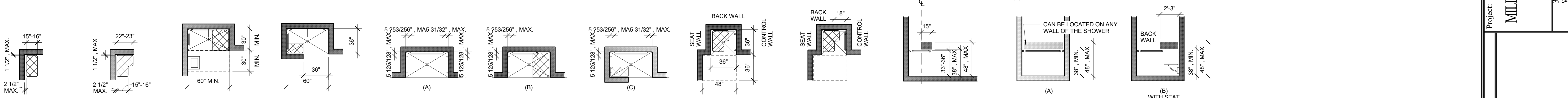


FIG. 610.3.1 - RECTANGULAR SHOWER COMPARTMENT SEAT
 FIG. 610.3.2 - L-SHAPED SHOWER COMPARTMENT SEAT
 FIG. 608.2.2 - STANDARD ROLL-IN-TYPE SHOWER COMPARTMENT
 FIG. 608.2.3 - ALTERNATE ROLL-IN-TYPE SHOWER COMPARTMENT
 FIG. 608.3.2 - GRAB BARS IN ROLL-IN-TYPE (A) STANDARD ROLL-IN-TYPE SHOWER (B) ROLL-IN-TYPE SHOWER WITH SEAT (C) ALTERNATE ROLL-IN-TYPE SHOWER
 FIG. 608.2.1 - TRANSFER-TYPE SHOWER COMPARTMENT
 FIG. 608.3.1 - GRAB BARS IN TRANSFER-TYPE SHOWERS
 FIG. 608.3.5 - CONTROLS IN TRANSFER-TYPE SHOWERS
 FIG. 608.3.5 - CONTROLS IN TRANSFER-TYPE SHOWERS (A) (B) WITH SEAT

Prepared For:
 Westbrook Development
 Corp. & Millbrook Estates
 LLP
 P.O. Box 7486
 Portland, ME 04112

Consultant:
ARCHETYPE
 architects
 48 Union Wharf Portland, Maine 04101
 (207) 772-6022 ARCHETYPE@ARCHETYPEPA.COM

Architect:
MILLBROOK ESTATES
 300 East Bridge Street
 Westbrook, ME 04092

Revisions:

Date: 10 AUG 2015
 Scale: As indicated
ACCESSIBILITY STANDARDS

AS1.1