

**EROSION AND SEDIMENTATION CONTROL NOTES & DETAILS**

TEMPORARY EROSION AND SEDIMENTATION CONTROL MEASURES INCLUDE THE USE OF SEDIMENT BARRIERS, EROSION CONTROL MIX, STONE CHECK DAMS, HAY BALE BARRIERS, CATCH BASIN INLET BARRIERS, CATCH BASIN SEDIMENT COLLECTION BAGS, EROSION CONTROL BLANKET, AND TEMPORARY SEEDING AND MULCHING AS REQUIRED. PERMANENT DEVICES INCLUDE THE USE OF RIP RAP AT EXPOSED STORM DRAIN AND CULVERT INLETS AND OUTLETS, RIP RAPPED SLOPES, AND PERMANENT VEGETATION.

- A. GENERAL**
- IT IS ANTICIPATED THAT CONSTRUCTION WILL BEGIN AS SOON AS POSSIBLE FOLLOWING RECEIPT OF NECESSARY PERMITS.
  - THE PROJECT SHALL CONFORM TO THE STANDARDS OF THE MAINE CONSTRUCTION GENERAL PERMIT.
  - ALL SOIL EROSION AND SEDIMENT CONTROL MEASURES SHALL BE CONSTRUCTED AND MAINTAINED IN ACCORDANCE WITH THE MAINE EROSION AND SEDIMENT CONTROL HANDBOOK FOR CONSTRUCTION: BEST MANAGEMENT PRACTICES (BMP) PUBLISHED BY THE CUMBERLAND COUNTY SOIL AND WATER CONSERVATION DISTRICT, DEPARTMENT OF ENVIRONMENTAL PROTECTION, MAY 2003, OR AS CURRENTLY REVISED.
  - ANY ADDITIONAL EROSION AND SEDIMENTATION CONTROL DEEMED NECESSARY BY THE OWNER'S REPRESENTATIVE, DEPARTMENT OF ENVIRONMENTAL PROTECTION (DEP) PERSONNEL AND/OR MUNICIPAL OFFICIALS SHALL BE INSTALLED BY THE CONTRACTOR.
  - THE CONTRACTOR IS RESPONSIBLE FOR ALL FINES RESULTING FROM EROSION OR SEDIMENTATION FROM THE SITE TO SURROUNDING PROPERTIES, WATER BODIES, OR WETLANDS AS A RESULT OF THIS PROJECT.
  - THE CONTRACTOR SHALL BE RESPONSIBLE FOR THE REPAIR/REPLACEMENT/MAINTENANCE OF ALL EROSION CONTROL MEASURES UNTIL ALL DISTURBED AREAS ARE STABILIZED TO THE SATISFACTION OF THE ABOVE PERSONNEL. DESCRIPTIONS OF ACCEPTABLE PERMANENT STABILIZATION FOR VARIOUS COVER TYPES FOLLOWS:
    - A. FOR SEEDED AREAS, PERMANENT STABILIZATION MEANS 90% COVERAGE OF THE DISTURBED AREA WITH MATURE, HEALTHY PLANTS WITH NO EVIDENCE OF WASHING OR RILLING OF THE TOPSOIL.
    - B. FOR SODDED AREAS, PERMANENT STABILIZATION MEANS THE COMPLETE BINDING OF THE SOD ROOTS INTO THE UNDERLYING SOIL WITH NO SLUMPING OF THE SOD OR DIE-OFF.
    - C. FOR MULCHED AREAS, PERMANENT MULCHING MEANS TOTAL COVERAGE OF THE EXPOSED AREA WITH MULCH. EROSION CONTROL MIX MAY BE USED AS MULCH.
    - D. FOR AREAS STABILIZED WITH RIP RAP, PERMANENT STABILIZATION MEANS THAT SLOPES STABILIZED WITH RIP RAP HAVE AN APPROPRIATE BACKING OF A WELL-GRADED GRAVEL OR GEOTEXTILE TO PREVENT SOIL MOVEMENT FROM BEHIND THE RIP RAP. STONE MUST BE SIZED APPROPRIATELY.
    - E. FOR PAVED AREAS, PERMANENT STABILIZATION MEANS THE PLACEMENT OF THE COMPACTED GRAVEL SUBBASE IS COMPLETED.
    - F. FOR OPEN CHANNELS, PERMANENT STABILIZATION MEANS THE CHANNEL IS STABILIZED WITH MATURE VEGETATION AT LEAST THREE INCHES IN HEIGHT, WITH WELL-GRADED RIP RAP, OR WITH ANOTHER NON-ERODIBLE LINING CAPABLE OF WITHSTANDING THE ANTICIPATED FLOW VELOCITIES AND FLOW DEPTHS WITHOUT RELIANCE ON CHECK DAMS TO SLOW FLOW. THERE MUST BE NO EVIDENCE OF SLUMPING OF THE LINING, UNDERCUTTING OF THE BANKS, OR DOWN CUTTING OF THE CHANNEL.

- B. EROSION AND SEDIMENTATION CONTROL MEASURES**
- PRIOR TO THE BEGINNING OF CONSTRUCTION, THE STABILIZED CONSTRUCTION ENTRANCE AND TEMPORARY SEDIMENT BARRIER SHALL BE INSTALLED AS SHOWN ON THE PLANS OR AS DIRECTED BY THE OWNER'S REPRESENTATIVE. IT IS THE INTENT THAT SEDIMENT BARRIERS BE INSTALLED DOWN GRADIENT OF ALL DISTURBED AREAS OF THE SITE. SEDIMENT BARRIERS SHALL BE INSPECTED IMMEDIATELY AFTER EACH RAINFALL AND AT LEAST DAILY DURING PROLONGED RAINFALL. AFTER EACH RAINFALL, IT IS THE INTENT THAT SEDIMENT DEPOSITS SHALL BE PERIODICALLY REMOVED FROM THE UPSTREAM SIDE OF THE SEDIMENT BARRIERS. THIS SEDIMENT WILL BE SPREAD AND STABILIZED IN AREAS OF THE SITE NOT SUBJECT TO EROSION. SEDIMENT BARRIERS SHALL BE REPLACED AS NECESSARY TO PROVIDE PROPER FILTERING ACTION. IF THERE ARE SIGNS OF UNDERCUTTING AT THE CENTER OR EDGES, OR IMPOUNDING OF LARGE VOLUMES OF WATER BEHIND THEM, THEY WILL BE REPLACED WITH A TEMPORARY CRUSHED STONE CHECK DAM.
  - ALL CATCH BASINS, NEW OR EXISTING, THAT MAY RECEIVE RUNOFF FROM DISTURBED AREAS MUST BE CONSTRUCTION INSPECT & CLEAN OUT AS NECESSARY. LEGALLY DISPOSE OF SEDIMENT & REMOVE FLOATABLES WITH OIL ABSORBENT PAD AS APPLICABLE.
  - REMOVAL OF SOD, TREES, BUSHES AND OTHER VEGETATION AND SOIL DISTURBANCE WILL BE KEPT TO A MINIMUM WHILE ALLOWING PROPER SITE DEVELOPMENT.
  - GRUBBINGS AND ANY UNUSABLE TOPSOIL SHALL BE STRIPPED AND REMOVED FROM THE PROJECT SITE AND DISPOSED OF IN AN APPROVED MANNER.
  - ANY SUITABLE TOPSOIL WILL BE STRIPPED AND STOCKPILED FOR REUSE IN FINAL GRADING. TOPSOIL WILL BE STOCKPILED IN A MANNER SUCH THAT NATURAL DRAINAGE IS NOT OBSTRUCTED AND NO OFF-SITE SEDIMENT DAMAGE WILL RESULT. IF A STOCKPILE IS NECESSARY, THE SIDE SLOPES OF THE TOPSOIL STOCKPILE WILL NOT EXCEED 2:1. TOPSOIL STOCKPILES WILL BE SEEDED WITH AROOSTOOK RYE. ANNUAL OR PERENNIAL RYE GRASS (DEPENDING ON DATE SEEDING) WITHIN 7 DAYS OF FORMATION, OR TEMPORARILY MULCHED IF SEEDING CANNOT BE DONE WITHIN THE RECOMMENDED SEEDING DATES.
  - TEMPORARY DIVERSION BERMS AND DRAINAGE SWALES SHALL BE CONSTRUCTED AS NECESSARY.
  - TEMPORARY STABILIZATION SHALL BE CONDUCTED WITHIN 7 DAYS OF INITIAL DISTURBANCE OF SOILS. PRIOR TO ANY RAIN EVENT, AND PRIOR TO ANY WORK SHUT DOWN LASTING MORE THAN ONE DAY. TEMPORARY VEGETATION INCLUDING RIP RAP OR OTHER NON-ERODIBLE COVER. AREAS WITHIN 75 FEET OF WETLANDS SHALL BE TEMPORARILY STABILIZED WITHIN 48 HOURS OR PRIOR TO RAIN EVENT.
  - APPLY HAY OR STRAW MULCH AT A RATE OF 2 TONS PER ACRE, AND ANCHOR AS NECESSARY.
  - TEMPORARY SEEDING SPECIFICATIONS, WHERE THE SEED BED HAS BEEN COMPACTED BY CONSTRUCTION OPERATIONS, LOOSEN SOIL TO A DEPTH OF 4 INCHES BEFORE APPLYING FERTILIZER, LIME, AND SEED. APPLY LIMESTONE AT A RATE OF 3 TONS PER ACRE (138 LB. PER 1,000 SQUARE FEET) AND 10-10-10 (N-P205-K20) FERTILIZER AT A RATE OF 600 LBS. PER ACRE (13.8 LB. PER 1,000 SQUARE FEET). UNIFORMLY APPLY SEED AT THE RECOMMENDED SEEDING RATES AND DATES. APPLY HAY OR STRAW MULCH AT A RATE OF 2 TONS PER ACRE, AND ANCHOR AS NECESSARY.

- RECOMMENDED TEMPORARY SEEDING DATES AND APPLICATION RATES ARE AS FOLLOWS:
- AROOSTOOK RYE: RECOMMENDED SEEDING DATES: 8/15 - 10/1  
APPLICATION RATE: 112 LBS./ACRE
- ANNUAL RYE GRASS: RECOMMENDED SEEDING DATES: 4/1 - 7/1  
APPLICATION RATE: 40 LBS./ACRE
- PERENNIAL RYE GRASS: RECOMMENDED SEEDING DATES: 8/15 - 9/15  
APPLICATION RATE: 40 LBS./ACRE
- IF THE AREA WILL REMAIN UNWORKED FOR MORE THAN ONE YEAR OR HAS BEEN BROUGHT TO STABILIZATION USING VEGETATION THROUGH PLANTING, SEEDING, SOD, OR THROUGH THE USE OF PERMANENT MULCH OR RIP RAP, IF USING VEGETATION FOR STABILIZATION, SELECT THE PROPER VEGETATION FOR THE LIGHT, MOISTURE, AND SOIL CONDITIONS. AMEND AREAS OF DISTURBED SUBSOIL WITH TOP SOIL OR OTHER ORGANIC AMENDMENTS. PROTECT SEEDED AREAS WITH MULCH OR, IF NECESSARY, EROSION CONTROL BLANKETS, AND SCHEDULE SODDING, PLANTING, AND SEEDING SO TO AVOID DIE-OFF FROM SUMMER DROUGHT AND FALL FROSTS. NEWLY SEED OR SODDED AREAS MUST BE PROTECTED FROM VEHICLE TRAFFIC, EXCESSIVE PEDESTRIAN TRAFFIC, AND CONCENTRATED RUNOFF UNTIL THE VEGETATION IS WELL ESTABLISHED. AREAS MUST BE REWORKED AND RESTABILIZED IF GERMINATION IS SPARSE, PLANT COVERAGE IS SPOTTY, OR TOPSOIL EROSION IS EVIDENT.

- PERMANENT SEEDING SPECIFICATION, IF A LANDSCAPE PLAN HAS BEEN PREPARED FOR THE PROJECT, SOIL PREPARATION AND SEEDING SPECIFICATIONS OF THAT PLAN SHALL SUPERSEDE THESE GENERAL PERMANENT SEEDING SPECIFICATIONS. IT IS RECOMMENDED THAT PERMANENT SEEDING BE COMPLETED BETWEEN APRIL 15 AND AUGUST 15 OF EACH YEAR. LATE SEASON SEEDING MAY BE DONE BETWEEN AUGUST 15 AND SEPTEMBER 15. AREAS NOT SEED OR WHICH DO NOT OBTAIN A SATISFACTORY GROWTH BY OCTOBER 1 SHALL BE SEEDING WITH AROOSTOOK RYE OR STABILIZED AT RATES PREVIOUSLY SPECIFIED. SEE WINTER CONDITIONS NOTES FOR SEEDING STABILIZATION AFTER NOVEMBER 1.
  - A. APPLY TOPSOIL TO A MINIMUM DEPTH OF 6 INCHES. MIX TOPSOIL WITH THE SUBSOIL TO A MINIMUM DEPTH OF 6 INCHES.
  - B. APPLY LIMESTONE AND FERTILIZER ACCORDING TO SOIL TESTS. IN LIEU OF SOIL TESTS, APPLY GROUND LIMESTONE AT A RATE OF 3 TONS PER ACRE (138 LB. PER 1,000 SQUARE FEET) AND GRANULAR, COMMERCIAL-GRADE, 10-10-10 (N-P205-K20) FERTILIZER AT A RATE OF 800 LBS. PER ACRE (18.4 LBS. PER 1,000 SQUARE FEET).
  - C. UNIFORMLY APPLY SEED MIXTURE AT THE RECOMMENDED SEEDING RATES AND DATES. APPLY HAY OR STRAW MULCH AT A RATE OF 2 TONS PER ACRE, AND ANCHOR AS NECESSARY.
  - D. THE SEED MIXTURE FOR LAWN AREAS SHALL CONSIST OF SEEDS PROPORTIONED BY WEIGHT AS FOLLOWS:
    - 10% CREEPING RED FESCUE
    - 30% KENTUCKY BLUEGRASS
    - 60% PERENNIAL RYE GRASS
  - E. THE SEED MIXTURE FOR WET AREAS SHALL CONSIST OF SEEDS PROPORTIONED BY WEIGHT AS FOLLOWS:
    - 50% REED CANARY GRASS
    - 25% RED TOP
    - 15% CREEPING RED FESCUE
    - 10% PERENNIAL RYE GRASS
- MULCH ALL AREAS SEED SO THAT SOIL IS NOT VISIBLE THROUGH THE MULCH
- DITCH LININGS, STONE CHECK DAMS, AND RIP RAP INLET AND OUTLET PROTECTION SHALL BE INSTALLED WITHIN 48 HOURS OF COMPLETING THE GRADING OF THAT SECTION OF DITCH OR INSTALLATION OF CULVERT.

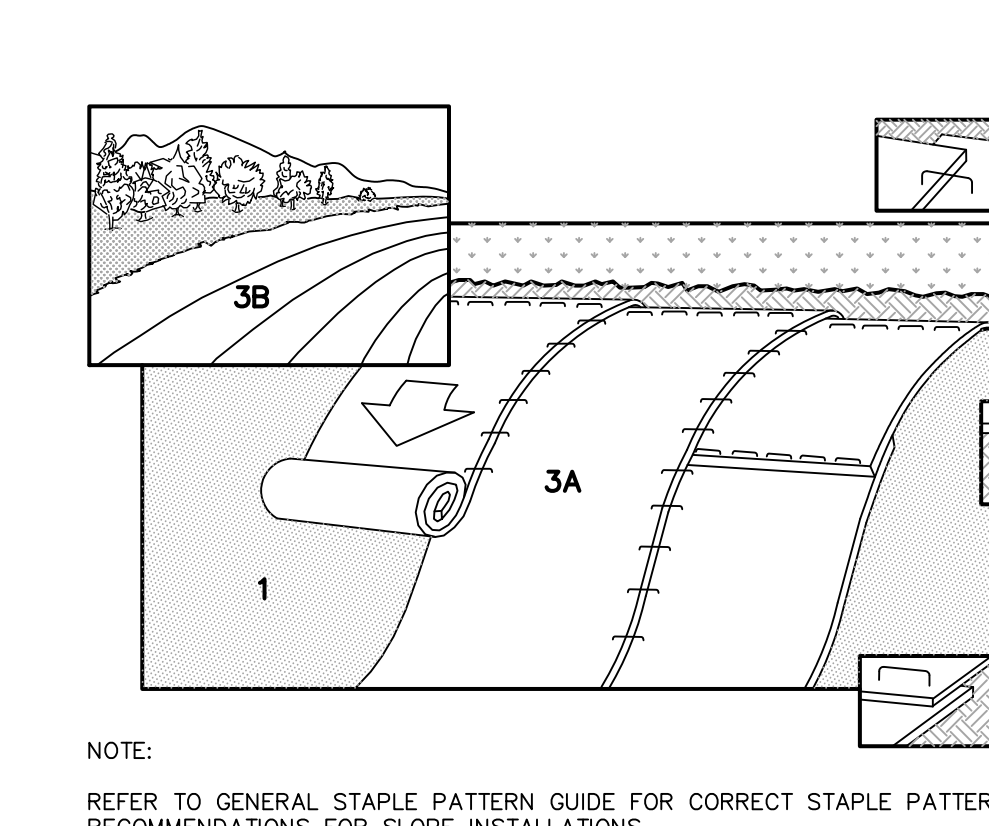
- RIP RAP REQUIRED AT CULVERTS AND STORM DRAIN INLETS AND OUTLETS SHALL CONSIST OF FIELD STONE OR ROUGH UNHEWN QUARRY STONE OF APPROXIMATELY RECTANGULAR SHAPE. STONES SHALL WEIGH FROM 10 LBS. TO 200 LBS. AND 50% OF THE STONES BY VOLUME SHALL EXCEED A UNIT WEIGHT OF APPROXIMATELY 50 LBS.
- EROSION CONTROL BLANKET SHALL BE INSTALLED ON ALL PERMANENT SLOPES STEEPER THAN 3:1. IN THE BASE OF DITCHES NOT OTHERWISE PROTECTED, AND ANY DISTURBED AREAS WITHIN 100 FEET OF A PROTECTED NATURAL RESOURCE (E.G. WETLANDS AND WATER BODIES). EROSION CONTROL BLANKET SHALL BE INSTALLED IN ACCORDANCE WITH MANUFACTURER'S RECOMMENDATIONS.
- TEMPORARY CONTROL MEASURES SHALL BE REMOVED WITHIN 30 DAYS AFTER PERMANENT STABILIZATION IS ATTAINED.

- C. WINTER CONDITIONS**
- "WINTER CONSTRUCTION" IS CONSTRUCTION ACTIVITY PERFORMED DURING THE PERIOD FROM NOVEMBER 1 THROUGH APRIL 15. IF AREAS WITHIN THE CONSTRUCTION ACTIVITY ARE NOT STABILIZED WITH TEMPORARY OR PERMANENT MEASURES OUTLINED ABOVE BY NOVEMBER 15, THEN THE SITE MUST BE PROTECTED WITH ADDITIONAL STABILIZATION MEASURES THAT ARE SPECIFIC TO WINTER CONDITIONS. NO MORE THAN ONE ACRE OF THE SITE MAY BE WITHOUT STABILIZATION AT ONE TIME.
  - AREAS WITHIN 100 FEET OF A PROTECTED NATURAL RESOURCE MUST BE PROTECTED WITH A DOUBLE ROW OF SEDIMENT BARRIERS.
  - HAY MULCH SHALL BE APPLIED AT TWICE THE STANDARD TEMPORARY STABILIZATION RATE. AT THE END OF EACH CONSTRUCTION DAY, AREAS THAT HAVE BEEN BROUGHT TO FINAL GRADE MUST BE STABILIZED. MULCH CAN NOT BE SPREAD ON TOP OF SNOW.
  - AFTER NOVEMBER 1 OR THE FIRST KILLING FROST FOR THE REGION AND BEFORE SNOW FALL, ALL EXPOSED AND DISTURBED AREAS NOT TO UNDERGO FURTHER DISTURBANCE ARE TO HAVE DORMANT SEEDING. THE DORMANT SEEDING METHOD: PREPARE THE SEEDBED, LIME AND FERTILIZE. APPLY THE SELECTED PERMANENT SEED MIXTURE AT DOUBLE THE REGULAR SEEDING RATE AND MULCH AND ANCHOR. DORMANT SEEDINGS NEED TO BE ANCHORED EXTREMELY WELL ON SLOPES, DITCH BASES AND AREAS OF CONCENTRATED FLOWS. DORMANT SEEDING REQUIRES INSPECTION AND RESEEDING AS NEEDED IN THE SPRING. ALL AREAS WHERE COVER IS INADEQUATE MUST BE IMMEDIATELY RESEEDING AND MULCHED AS SOON AS POSSIBLE.

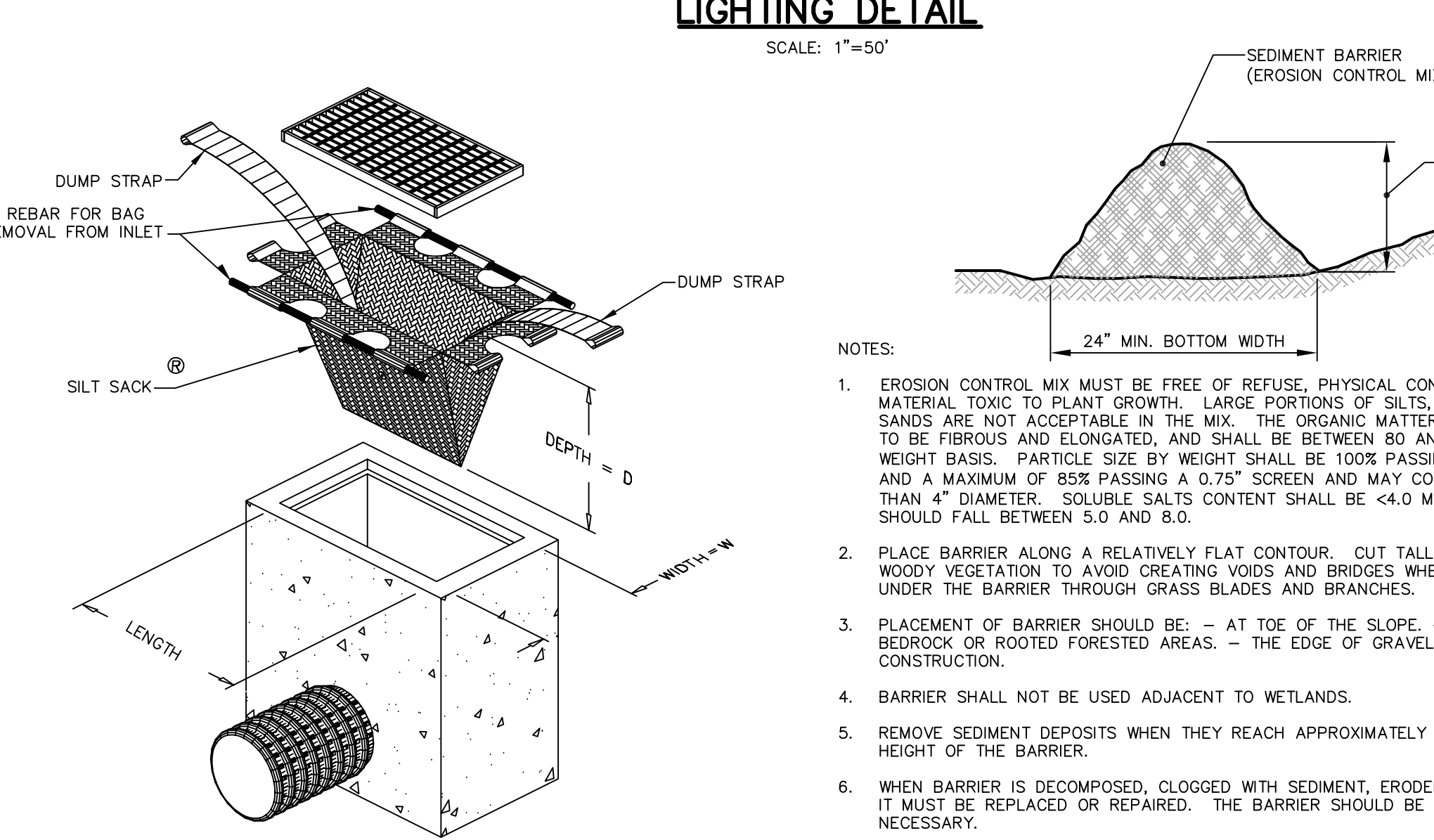
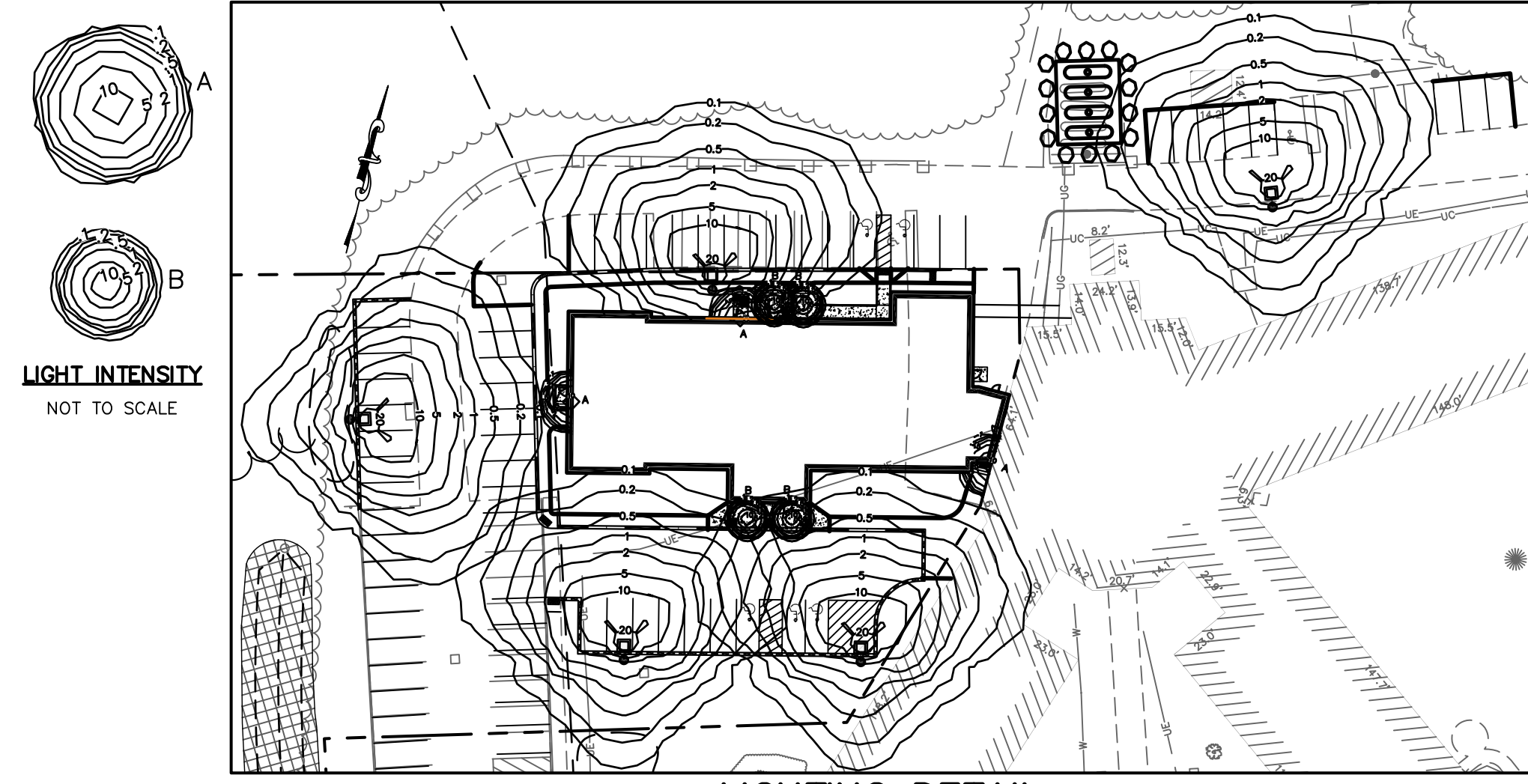
- ALL VEGETATED DITCH LINES THAT HAVE NOT BEEN STABILIZED BY NOVEMBER 1, OR WILL BE WORKED DURING THE WINTER CONSTRUCTION PERIOD, MUST BE STABILIZED WITH AN APPROPRIATE STONE LINING BACKED BY AN APPROPRIATE GRAVEL BED OR GEOTEXTILE.
- MULCH NETTING MUST BE USED TO ANCHOR MULCH ON ALL SLOPES GREATER THAN 8% UNLESS EROSION CONTROL BLANKETS OR EROSION CONTROL MIX IS BEING USED ON THESE SLOPES.

- D. HOUSEKEEPING**
- SPILL PREVENTION. CONTROLS MUST BE USED TO PREVENT POLLUTANTS FROM BEING DISCHARGED FROM MATERIALS ON SITE, INCLUDING STORAGE PRACTICES TO MINIMIZE EXPOSURE OF THE MATERIALS TO STORM WATER AND APPROPRIATE SPILL PREVENTION, CONTAINMENT, AND RESPONSE PLANNING AND IMPLEMENTATION.
  - GROUNDWATER PROTECTION. DURING CONSTRUCTION, LIQUID PETROLEUM PRODUCTS AND OTHER HAZARDOUS MATERIALS WITH THE POTENTIAL TO CONTAMINATE GROUNDWATER MAY NOT BE STORED OR HANDLED IN AREAS OF THE SITE DRAINING TO AN INFILTRATION AREA. AN "INFILTRATION AREA" IS ANY AREA OF THE SITE THAT BY DESIGN OR AS A RESULT OF SOILS, TOPOGRAPHY AND OTHER RELEVANT FACTORS, FACILITATES THE ENTRY OF LIQUIDS INTO THE SOIL. DIKES, BERMS, SUMPS, AND OTHER FORMS OF SECONDARY CONTAINMENT THAT PREVENT DISCHARGE TO GROUNDWATER MAY BE USED TO ISOLATE PORTIONS OF THE SITE FOR THE PURPOSES OF STORAGE AND HANDLING OF THESE MATERIALS.
  - FUGITIVE SEDIMENT AND DUST. ACTIONS MUST BE TAKEN TO ENSURE THAT ACTIVITIES DO NOT RESULT IN NOTICEABLE EROSION OF SOILS OR FUGITIVE DUST EMISSIONS DURING OR AFTER CONSTRUCTION. OIL MAY NOT BE USED FOR DUST CONTROL.
  - DEBRIS AND OTHER MATERIAL. LITTER, CONSTRUCTION DEBRIS, AND CONSTRUCTION CHEMICALS EXPOSED TO STORM WATER, MUST BE PREVENTED FROM BECOMING A POLLUTANT SOURCE.
  - TRENCH OR FOUNDATION DE-WATERING. TRENCH DE-WATERING IS THE REMOVAL OF WATER FROM TRENCHES, FOUNDATIONS, COFFER DAMS, PONDS AND OTHER AREAS WITHIN THE CONSTRUCTION AREA THAT RETAIN WATER AFTER EXCAVATION. THE COLLECTED WATER REMOVED FROM THE PONDED AREA, MUST BE FILTERED THROUGH A DIRT BAG OR OTHER SILTATION BASIN PRIOR TO DISCHARGE.

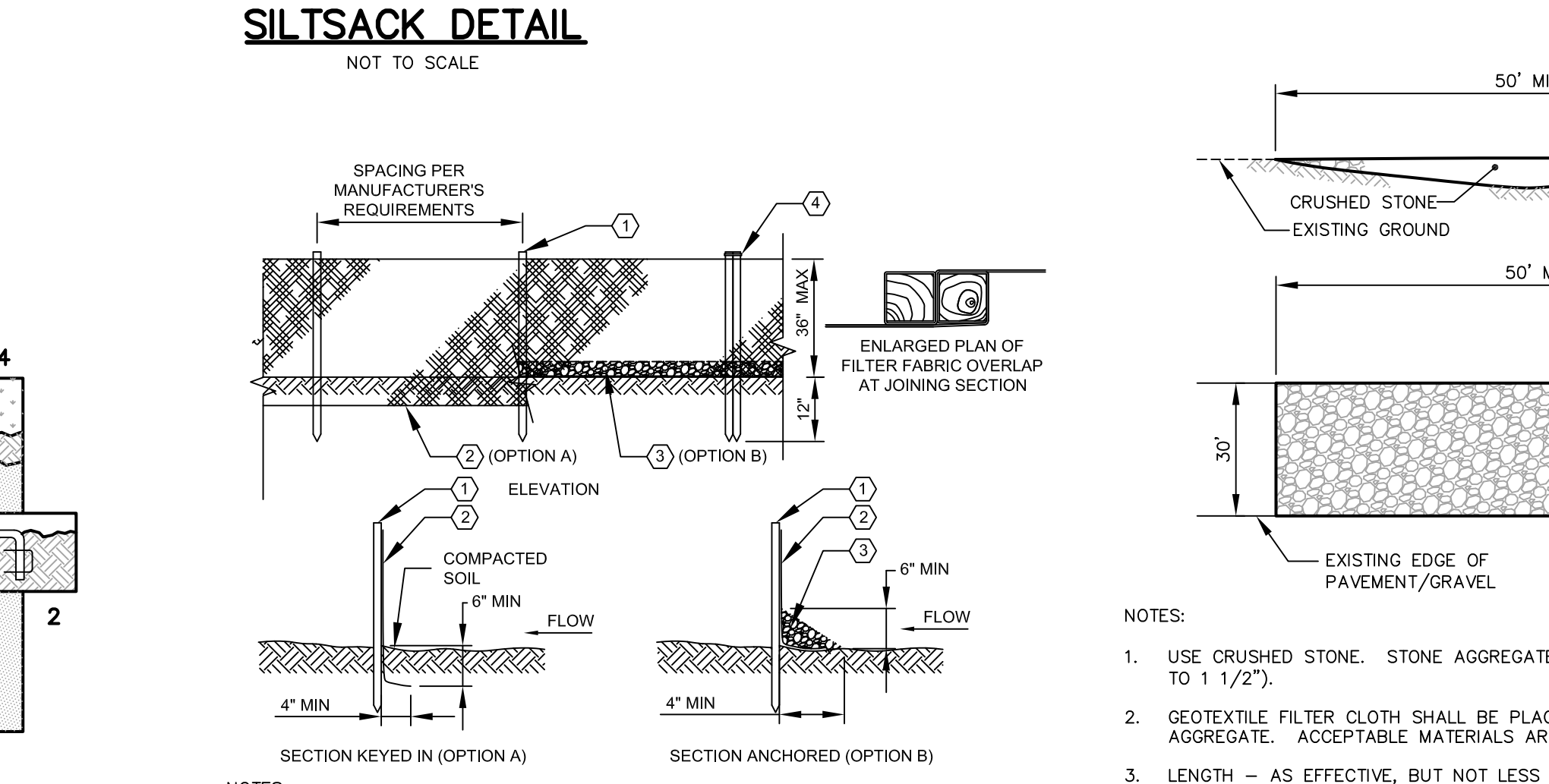
- E. INSPECTION AND MAINTENANCE**
- INSPECT DISTURBED AND IMPERVIOUS AREAS, EROSION AND STORM WATER CONTROL MEASURES, AREAS USED FOR STORAGE THAT ARE EXPOSED TO PRECIPITATION AND LOCATIONS WHERE VEHICLES ENTER OR EXIT THE SITE AT LEAST ONCE A WEEK AS WELL AS BEFORE AND AFTER STORM EVENTS. PRIOR TO COMPLETION OF PERMANENT STABILIZATION, A PERSON WITH KNOWLEDGE OF EROSION AND STORM WATER CONTROLS, INCLUDING THE STANDARDS IN THE MAINE CONSTRUCTION GENERAL PERMIT AND ANY DEP OR MUNICIPAL COMPANION DOCUMENTS, MUST CONDUCT THE INSPECTION. THIS PERSON MUST BE IDENTIFIED IN THE INSPECTION LOG. IF BEST MANAGEMENT PRACTICES (BMPs) NEED BE MODIFIED OR IF ADDITIONAL BMPs ARE NECESSARY, IMPLEMENTATION MUST BE COMPLETED WITHIN 7 CALENDAR DAYS AND PRIOR TO ANY STORM EVENT (RAINFALL). ALL MEASURES MUST BE MAINTAINED IN EFFECTIVE OPERATING CONDITION UNTIL AREAS ARE PERMANENTLY STABILIZED.
  - AN INSPECTION AND MAINTENANCE LOG MUST BE KEPT SUMMARIZING THE SCOPE OF THE INSPECTION, NAME AND QUALIFICATIONS OF THE PERSON PERFORMING THE INSPECTION, DATE, AND MAJOR OBSERVATIONS RELATING TO OPERATION OF EROSION AND SEDIMENTATION CONTROLS AND POLLUTION PREVENTION MEASURES. MAJOR OBSERVATIONS MUST INCLUDE: BMPs THAT NEED TO BE MAINTAINED, LOCATION(S) OF BMPs THAT FAILED TO OPERATE AS DESIGNED OR PROVIDED INADEQUATE PROTECTION FOR A PARTICULAR LOCATION, AND LOCATION(S) WHERE ADDITIONAL BMPs ARE NEEDED THAT DID NOT EXIST AT THE TIME OF THE INSPECTION. FOLLOW-UP TO CORRECT DEFICIENCIES OR ENHANCE CONTROLS MUST ALSO BE INDICATED IN THE LOG AND DATED, INCLUDING WHAT ACTION WAS TAKEN AND WHEN.



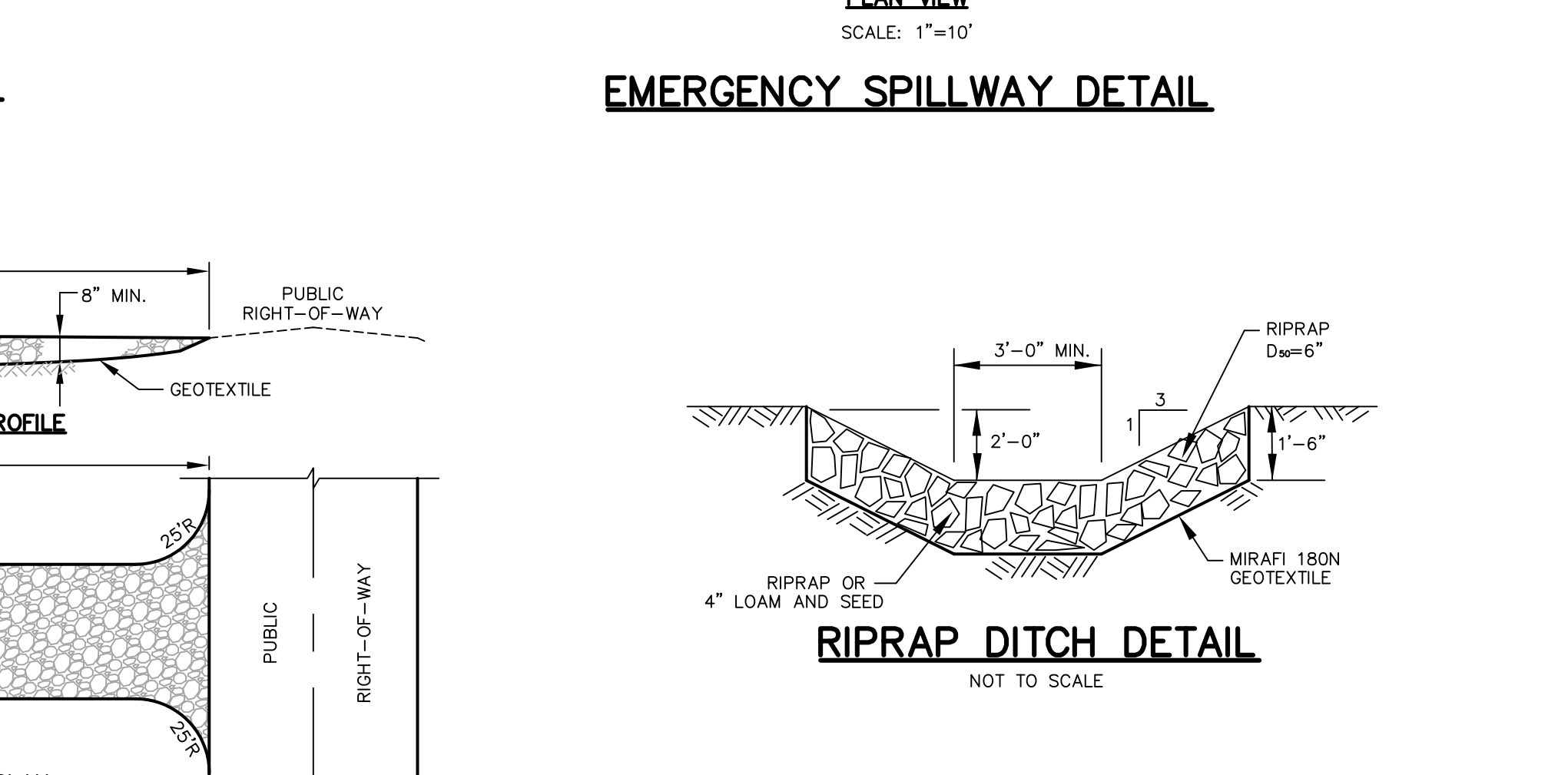
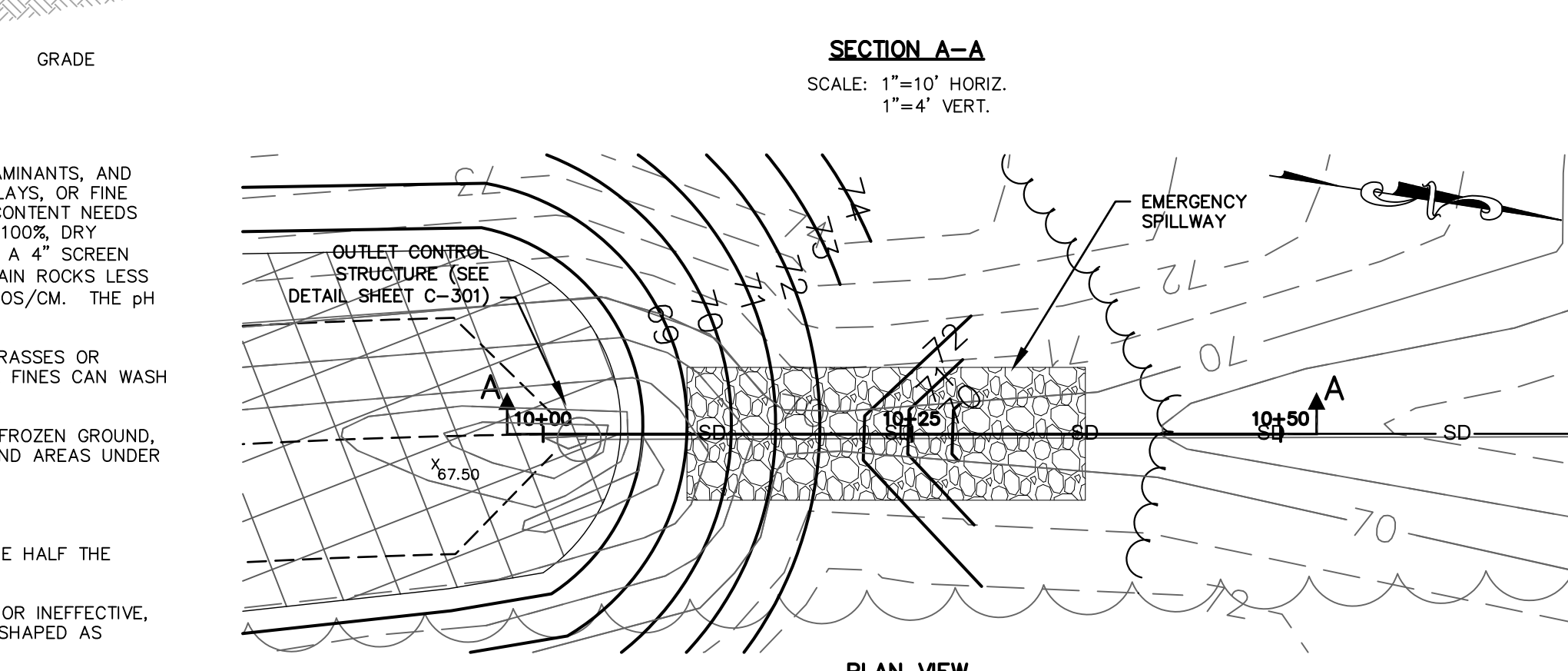
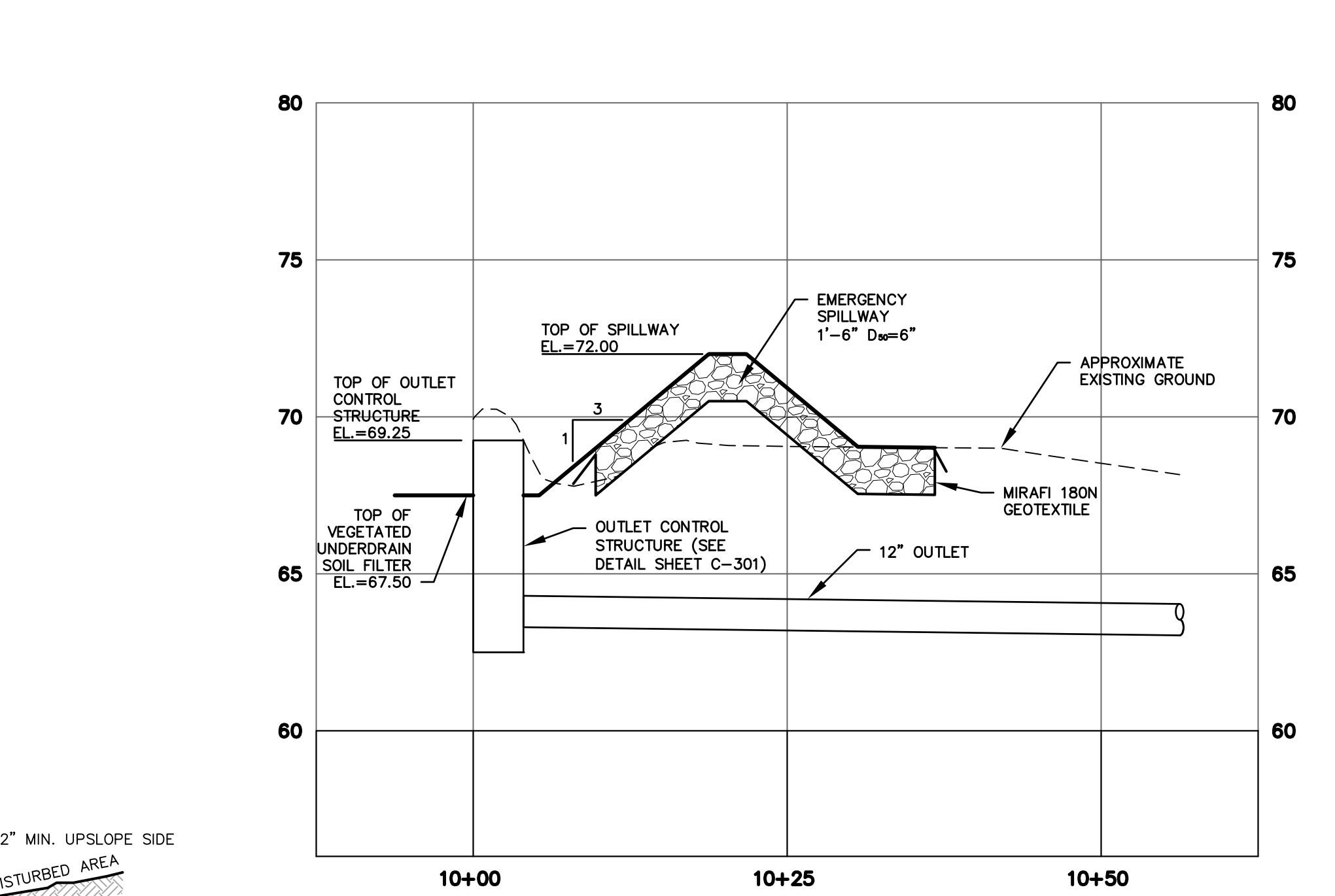
- EROSION CONTROL BLANKET (SLOPE INSTALLATION)**  
NOT TO SCALE
- NOTE: REFER TO GENERAL STAPLE PATTERN GUIDE FOR CORRECT STAPLE PATTERN RECOMMENDATIONS FOR SLOPE INSTALLATIONS.
- INSTALLATION STEPS:
- PREPARE SOIL BEFORE INSTALLING BLANKETS, INCLUDING APPLICATION OF LIME, FERTILIZER, AND SEED. NEITHER USING CELL-TO-SEED NOR SEED PREPARED AREA. CELL-TO-SEED MUST BE INSTALLED WITH PAPER SIDE DOWN.
  - BEGIN AT THE TOP OF THE SLOPE BY ANCHORING THE BLANKET IN 6" DEEP X 6" WIDE TRENCH. BACKFILL AND COMPACT THE TRENCH AFTER STAPLING.
  - ROLL THE BLANKETS (A) DOWN OR (B) HORIZONTALLY ACROSS THE SLOPE.
  - THE EDGES OF PARALLEL BLANKETS MUST BE STAPLED WITH APPROXIMATELY 2" OVERLAP.
  - WHEN BLANKETS MUST BE SPICED DOWN THE SLOPE, PLACE BLANKETS END OVER END (SHINGLE STYLE) WITH APPROXIMATELY 4" OVERLAP. STAPLE THROUGH OVERLAPPED AREA, APPROXIMATELY 12" APART.



- SEDIMENT BARRIER (EROSION CONTROL MIX)**  
NOT TO SCALE
- NOTES:
- EROSION CONTROL MIX MUST BE FREE OF REFUSE, PHYSICAL CONTAMINANTS, AND MATERIAL TOXIC TO PLANT GROWTH. LARGE PORTIONS OF SILTS, CLAYS, OR FINE SANDS ARE NOT ACCEPTABLE IN THE MIX. THE ORGANIC MATTER CONTENT NEEDS TO BE FIBROUS AND ELONGATED, AND SHALL BE BETWEEN 80 AND 100% DRY WEIGHT BASIS. PARTICLE SIZE BY WEIGHT SHALL BE 100% PASSING A 4" SCREEN AND A MAXIMUM OF 80% PASSING A 0.75" SCREEN AND MAY CONTAIN ROCKS LESS THAN 4" DIAMETER. SOLUBLE SALTS CONTENT SHALL BE <4.0 MMHOS/CM. THE PH SHOULD FALL BETWEEN 5.0 AND 8.0.
  - PLACE BARRIER ALONG A RELATIVELY FLAT CONTOUR. CUT TALL GRASSES OR WOODY VEGETATION TO AVOID CREATING VOIDS AND BRIDGES WHERE FINES CAN WASH UNDER THE BARRIER THROUGH GRASS BLADES AND BRANCHES.
  - PLACEMENT OF BARRIER SHOULD BE: - AT TOE OF THE SLOPE. - FROZEN GROUND, BEDROCK OR ROOTED FORESTED AREAS. - THE EDGE OF GRAVEL AND AREAS UNDER CONSTRUCTION.
  - BARRIER SHALL NOT BE USED ADJACENT TO WETLANDS.
  - REMOVE SEDIMENT DEPOSITS WHEN THEY REACH APPROXIMATELY ONE HALF THE HEIGHT OF THE BARRIER.
  - WHEN BARRIER IS DECOMPOSED, CLOGGED WITH SEDIMENT, ERODED, OR INEFFECTIVE, IT MUST BE REPLACED OR REPAIRED. THE BARRIER SHOULD BE RESHAPED AS NECESSARY.



- SILT FENCE**  
NOT TO SCALE
- NOTES:
- 1.25"x1.25" OAK STAKES EMBEDDED A MINIMUM OF 12" INTO THE GROUND.
  - FILTER FABRIC TO BE SEDIMENTATION CONTROL FABRIC MIRAFI 100X OR EQUIVALENT.
  - 1" CRUSHED STONE ANCHORING MATERIAL.
  - OVERLAP AT JOINING SECTION AS SHOWN. A COUPLER CAN BE AN ACCEPTABLE DEVICE USED TO TIE THE OAK STAKES TOGETHER.
  - INSTALLATION/PLACEMENT OF THE PERIMETER SILT FENCE SHALL BE IN ACCORDANCE WITH MAINE EROSION AND SEDIMENT CONTROL HANDBOOK FOR CONSTRUCTION: BEST MANAGEMENT PRACTICES AND SOIL EROSION & SEDIMENT CONTROL PLAN.



- STABILIZED CONSTRUCTION ENTRANCE**  
NOT TO SCALE
- NOTES:
- USE CRUSHED STONE. STONE AGGREGATE SIZE - AASHTO DESIGNATION M 43, SIZE NO. 2 (2 1/2" TO 1 1/2").
  - GEOTEXTILE FILTER CLOTH SHALL BE PLACED OVER THE ENTIRE AREA TO BE COVERED WITH AGGREGATE. ACCEPTABLE MATERIALS ARE TREVIRA SPUNBOND 1135 MIRAFI 600X, OR EQUIVALENT.
  - LENGTH - AS EFFECTIVE, BUT NOT LESS THAN 50 FEET.
  - THICKNESS - NOT LESS THAN EIGHT (8) INCHES.
  - PROVIDE APPROPRIATE TRANSITION BETWEEN STABILIZED CONSTRUCTION ENTRANCE AND PUBLIC RIGHT-OF-WAY. INGRESS OR EGRESS, SLOPES NO STEEPER THAN 5:1 SLOPE.
  - MAINTENANCE - THE ENTRANCE SHALL BE MAINTAINED IN A CONDITION WHICH WILL PREVENT TRACKING OR FLOWING OF SEDIMENT ONTO PUBLIC RIGHTS-OF-WAY. THIS MAY REQUIRE PERIODIC REPAIR AND TOP DRESSING WITH ADDITIONAL STONE AS CONDITIONS DEMAND. ALL SEDIMENT SPILLED, DROPPED, WASHED OR TRACKED ONTO PUBLIC RIGHTS-OF-WAY MUST BE REMOVED IMMEDIATELY.

REV.	DATE	REVISION DESCRIPTION	DRAWN	CHK'D
4	01/04/2016	ISSUED FOR BID	DB	PJD
3	12/14/2015	BIDDING DOCUMENTS	DB	PJD
2	09/01/2015	REVISED - MAINE STATE HOUSING 90% SUBMITTAL	MCA	PJD
1	06/09/2014	SUBMITTED TO CITY FOR SUBDIVISION & SITE PLAN REVIEW	MCA	PJD

DATE: 06/09/2014 SCALE: NTS PROJECT NO.: 3509.1 FILE: 3509-1-DETAILS

**SOIL EROSION & SEDIMENT CONTROL NOTES & DETAILS**

MILLBROOK ESTATES - PHASE II  
300 EAST BRIDGE STREET  
WESTBROOK, MAINE 04092

WESTBROOK DEVELOPMENT CORPORATION &  
MILLBROOK ESTATES II, LP  
30 LIZA HARMON DRIVE  
WESTBROOK, MAINE 04092

St. Germain • Collins

C-302

846 MAIN ST., WESTBROOK, ME 04092 TEL:207-591-7000 WWW.STGERMAINCOLLINS.COM

C:\Users\CADD\Desktop\DCS-Projects\St. Germain\3509.1\_Millbrook\3509-1-DETAILS.dwg 12/30/2015 10:51:00 AM