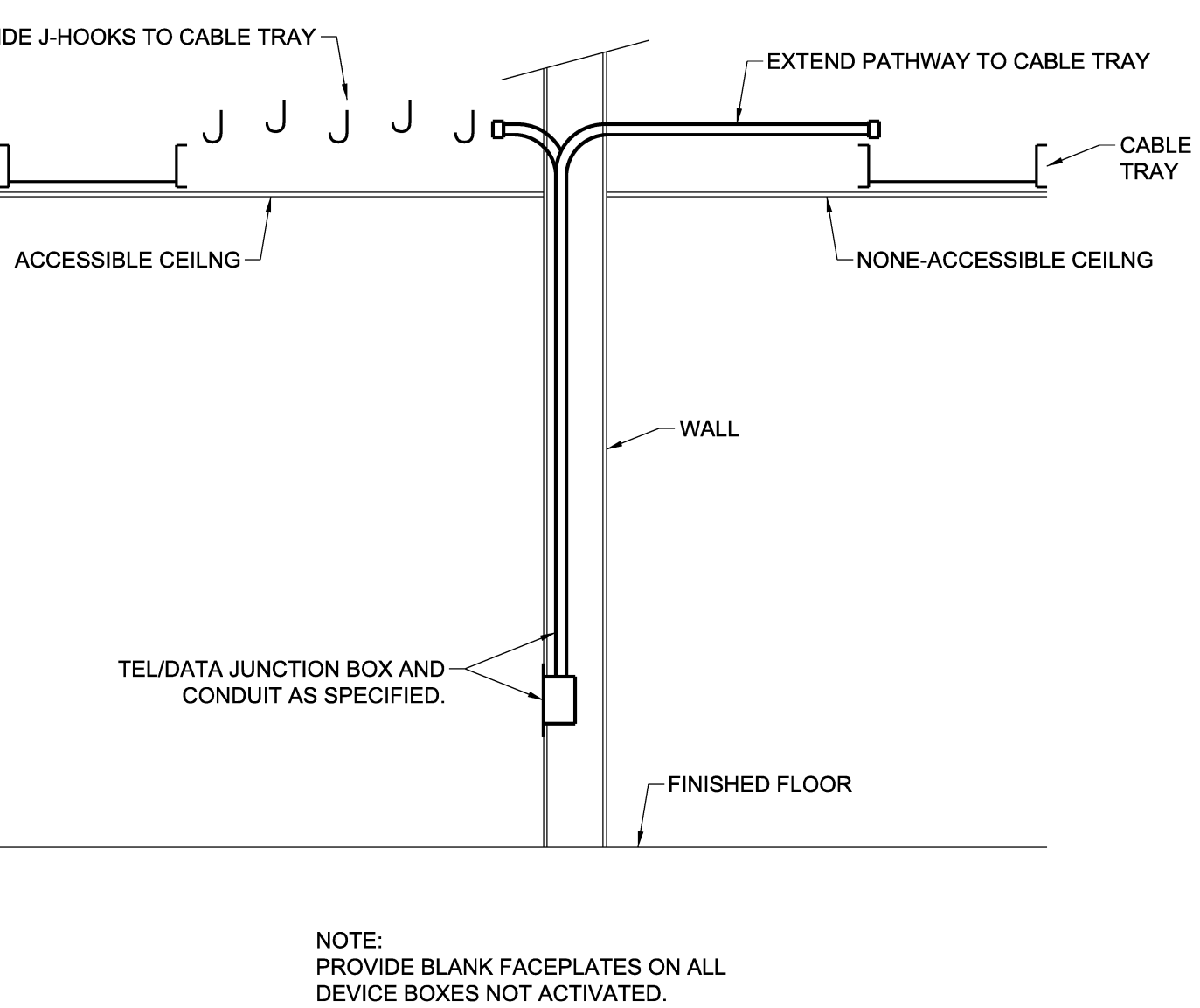
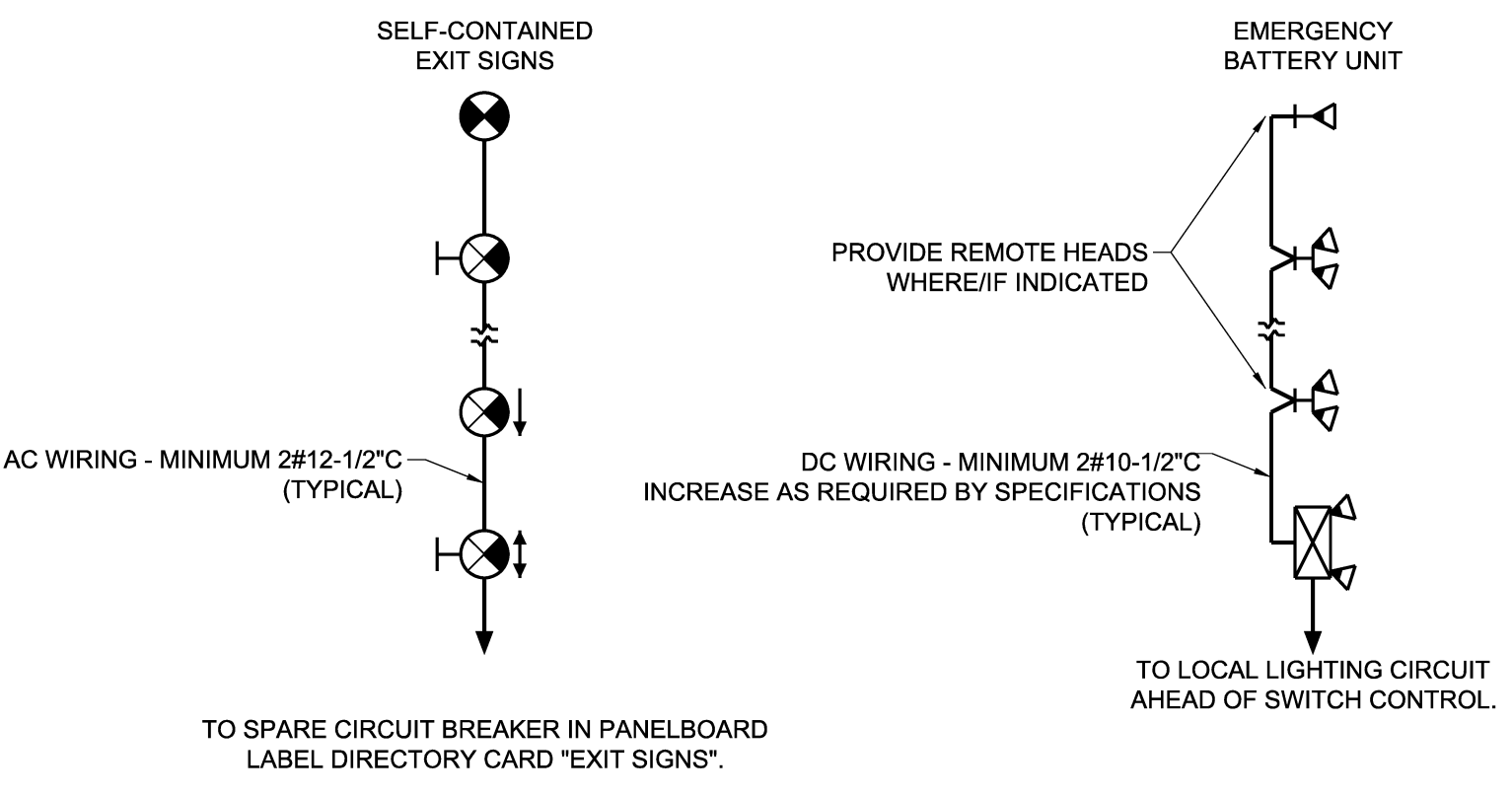


LIGHTING FIXTURE SCHEDULE									
ALL FIXTURES SHALL BE FURNISHED COMPLETE WITH ALL HARDWARE LAMPS, HANGERS, FITTINGS, ETC. FOR A COMPLETE AND PROPER INSTALLATION									
TYPE	MANUFACTURER	CATALOG NO.	MTG.	VOLT.	LAMPS			REMARKS/BALLAST INFORMATION	
					NO.	WATT	TYPE		
A	3300 LUMEN - 2x2 RECESSED LITHONIA LIGHTING APPROVED EQUAL	VOLUMETRIC™ LED TROFFER WITH CENTER BASKET - DLC PREMIUM LISTED ZBLT2-33LHE-ADSM-EZ1-LP835-1	R	120	30	LED	30 INPUT WATTS. ARROWS ON PLANS INDICATE ORIENTATION OF CENTER BASKET. *1 = DIMMING DRIVER SHALL BE FULLY COMPATIBLE WITH ALL DIMMERS/LIGHTING CONTROLS.		
	2000 LUMEN - 2x2 RECESSED LITHONIA LIGHTING APPROVED EQUAL	VOLUMETRIC™ LED TROFFER WITH CENTER BASKET - DLC PREMIUM LISTED ZBLT2-20LHE-ADSM-EZ1-LP835-1						R	120
D	4600 LUMEN/4 FT - PENDANT LITHONIA LIGHTING APPROVED EQUAL	LEDALITE 7806-L-B-C-Q-N-08-7-1-E-W-SCULPTED-1-1-2 APPROVED EQUAL	P	120	79	LED	79 INPUT WATTS. MOUNT BOTTOM OF FIXTURE DOWN 18" FROM CEILING UNLESS NOTED OTHERWISE. * = COORDINATE MOUNTING WITH CEILING TYPE AS SHOWN ON ARCHITECTURAL REFLECTED CEILING PLANS. *1 = DIMMING DRIVER SHALL BE FULLY COMPATIBLE WITH ALL DIMMERS/LIGHTING CONTROLS. *2 = PROVIDE WITH FULLY ADJUSTABLE AIRCRAFT CABLE SUPPORTS.		
	E	EXIT SIGN WITH BATTERY BACK-UP LITHONIA LIGHTING APPROVED EQUAL						LQC-W-1-R-ELN	S
EBU	EMERGENCY LIGHTING UNIT WITH DUAL HEADS LITHONIA	ELM2-LED	S	UNV	2	9	KRY		
F	4" CEILING MOUNT LED BRACKET LITHONIA LIGHTING APPROVED EQUAL	WL4-20L-EZ1-LP835-NE57	C	120	19	LED	MOUNT BOTTOM UP 7'-3" - VERIFY/COORD. WITH ARCHITECTURAL ELEVATIONS/DETAILS.		
	2" CEILING MOUNT LED BRACKET LITHONIA LIGHTING APPROVED EQUAL	WL2-18L-EZ1-LP835-NE57						C	120



3 TYPICAL WALL OUTLET DETAIL  
SCALE: NO SCALE



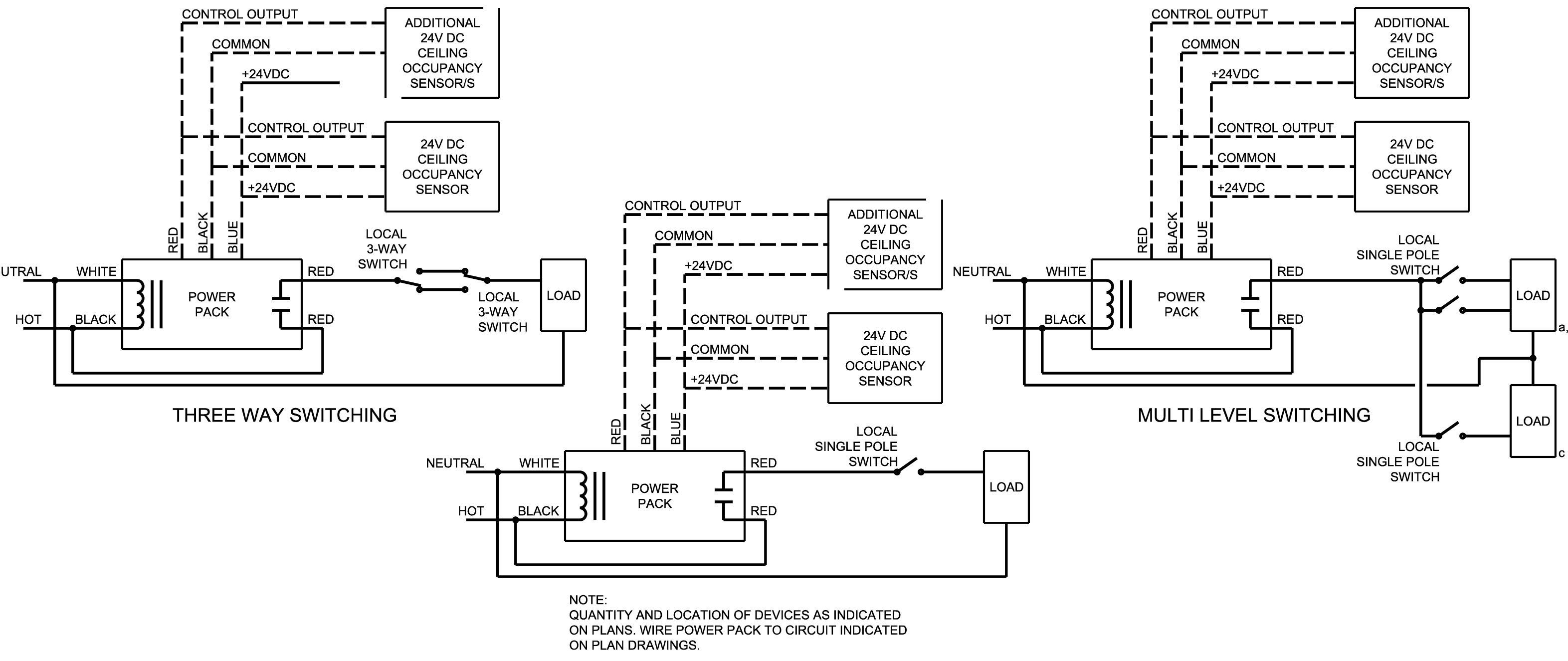
4 EXIT SIGN AND EMERGENCY BATTERY UNIT WIRING  
SCALE: NO SCALE

PATHWAYS INSTALLED TO CARRY TELECOMMUNICATIONS CABLES SHALL GIVE CONSIDERATION TO NOISE SOURCES SUCH AS POWER WIRING, RADIO FREQUENCY (RF) SOURCES, MOTORS, GENERATORS, INDUCTION HEATERS, ARC WELDERS, TRANSFORMERS, LIGHTING FIXTURE BALLAST/DRIVER, ETC...

- TELECOMMUNICATIONS CABLES SHALL CROSS POWER CONDUCTORS IN A PERPENDICULAR ORIENTATION AND AT A MINIMUM DISTANCE OF 6 INCHES.
- TELECOMMUNICATIONS PATHWAYS SHALL RUN A MINIMUM OF 6" FROM A LIGHTING FIXTURE BALLAST/DRIVER UNLESS OTHERWISE INDICATED.
- TELECOMMUNICATIONS PATHWAYS WHICH RUN PARALLEL TO POWER CONDUCTORS SHALL MAINTAIN THE FOLLOWING MINIMUM DISTANCE SEPARATION:

CONDITION	MINIMUM REQUIRED SEPARATION			
	120V <20A	120/208V <20A	120/208V >20A	277/480V
POWER CONDUCTORS IN TRAY, TELECOM CONDUCTORS IN TRAY OR AIR	12"	18"	24"	36"
POWER CONDUCTORS IN TRAY, TELECOM CONDUCTORS IN METAL CONDUIT	9"	12"	18"	24"
POWER CONDUCTORS IN METAL CONDUIT, TELECOM CONDUCTORS IN TRAY OR AIR	9"	12"	18"	24"
POWER CONDUCTORS IN METAL CONDUIT, TELECOM CONDUCTORS IN METAL CONDUIT OR WIREWAY	4"	9"	12"	24"

1 SEPARATION OF TELECOMMUNICATION CABLES FROM ELECTRICAL ITEMS  
SCALE: NO SCALE



2 OCCUPANCY SENSOR CONTROL DETAIL  
SCALE: NO SCALE

## ELECTRICAL LEGEND

- LP-1,3 ← HHHH HOMERUN TO PNLBRD - ARROWS INDICATE NUMBER OF CIRCUITS. CROSS LINES INDICATE NUMBER OF CONDUCTORS OTHER THAN TWO (PROVIDE NUMBER OF WIRES REQUIRED TO ALLOW SWITCHING SHOWN - E10 SERIES LIGHTING DRAWINGS).
- CIRCUIT NUMBER(S)
- PANEL DESIGNATION
- WIRING CONCEALED IN WALL OR CEILING
- WIRING IN RACEWAY CONCEALED UNDER FLOOR/UNDER GROUND
- 2x2' RECESSED LIGHTING FIXTURE
- 2x4' RECESSED LIGHTING FIXTURE
- RECESSED DOWNLIGHT
- PENDANT LIGHTING FIXTURE
- LIGHTING FIXTURE ON LIFE-SAFETY
- SINGLE POLE SWITCH - MOUNT CIL UP 48" UNLESS NOTED OTHERWISE - WHERE SHOWN AT EQUIPMENT IN FINISHED AREAS CONCEAL IN EQUIPMENT ENCLOSURE
- THREE-WAY SWITCH - MOUNT CIL UP 48" UNLESS NOTED OTHERWISE
- FOUR-WAY SWITCH - MOUNT CIL UP 48" UNLESS NOTED OTHERWISE
- 0-10V DIMMER SWITCH - MOUNT CIL UP 48" UNLESS NOTED OTHERWISE
- SWITCH WITH PILOT LIGHT - MOUNT CIL UP 48" UNLESS NOTED OTHERWISE
- WALL MOUNTED LIGHTING OCCUPANCY SENSOR SWITCH - MOUNT CIL UP 48" UNLESS NOTED OTHERWISE - SEE DETAIL ON DRAWING E00.1
- OCCUPANCY SENSOR AND POWER PACK - PROVIDE NUMBER OF POWER PACKS REQUIRED TO ALLOW FOR NUMBER OF OCCUPANCY SENSORS AND SWITCHING SHOWN - DASHED LINE INDICATES GROUPING OF SENSORS - SEE DETAIL ON DRAWING E00.1
- SUBLETTER INDICATES SWITCH CONTROL
- LETTER ADJACENT TO SYMBOL INDICATES SPECIAL MOUNTING DESIGNATION - SEE ITEM DESCRIPTIONS BELOW
- DUPLEX CONVENIENCE RECEPTACLE - MOUNT CIL UP 24" UNLESS NOTED OTHERWISE ON PLANS OR IN CLASSROOM RECEPTACLE MOUNTING HEIGHT TABLE - "A" INDICATES MOUNT CIL UP 6" ABOVE COUNTER BACKSPLASH/CIL 48" WHERE NOT LOCATED AT A COUNTER
- DOUBLE DUPLEX CONVENIENCE RECEPTACLE - MOUNT CIL UP 24" UNLESS NOTED OTHERWISE ON PLANS OR IN CLASSROOM RECEPTACLE MOUNTING HEIGHT TABLE - "A" INDICATES MOUNT CIL UP 6" ABOVE COUNTER BACKSPLASH/CIL 48" WHERE NOT LOCATED AT A COUNTER
- GFCI DUPLEX CONVENIENCE RECEPTACLE - MOUNT CIL UP 48" UNLESS NOTED OTHERWISE ON PLANS OR IN CLASSROOM RECEPTACLE MOUNTING HEIGHT TABLE - "A" INDICATES MOUNT CIL UP 6" ABOVE COUNTER BACKSPLASH/CIL 48" WHERE NOT LOCATED AT A COUNTER
- SPECIAL RECEPTACLE - COORDINATE NEMA CONFIGURATION AND MOUNTING WITH FURNISHED EQUIPMENT UNLESS NOTED
- PROVISIONS FOR VOICE AND DATA OUTLET - JUNCTION BOX WITH SINGLE GANG RAISED RING AND TWO 1" CONDUIT TO ABOVE AN ACCESSIBLE CEILING - MOUNT UP SAME AS ASSOCIATED RECEPTACLE UNLESS NOTED OTHERWISE
- PROVISIONS FOR VOICE AND DATA OUTLET - JUNCTION BOX WITH SINGLE GANG RAISED RING AND ONE 1" CONDUIT TO ABOVE AN ACCESSIBLE CEILING - "W" INDICATES PROVISIONS FOR WALL PHONE - "C" INDICATES PROVISIONS FOR CALL BUTTON - MOUNT CIL UP 48" UNLESS NOTED OTHERWISE - WHERE SHOWN NEXT TO DOOR AT SAME LOCATION AS SWITCH AND PROVISION FOR TEMPERATURE SENSOR, PROVISIONS FOR CALL BUTTON SHALL BE LOCATED SECOND FROM DOOR
- PROVISIONS FOR AUDIO VISUAL OUTLET - DEEP JUNCTION BOX WITH DOUBLE GANG RAISED RING AND TWO 1 1/4" CONDUIT TO ABOVE AN ACCESSIBLE CEILING - MOUNT UP SAME AS ASSOCIATED RECEPTACLE UNLESS NOTED OTHERWISE
- PROVISIONS FOR WALL MOUNTED CLOCK - JUNCTION BOX WITH SINGLE GANG RAISED RING AND ONE 1" CONDUIT TO ABOVE AN ACCESSIBLE CEILING - MOUNT CIL UP 8'-6" UNLESS NOTED OTHERWISE
- WALL MOUNTED CCTV CAMERA
- JUNCTION BOX
- DISCONNECT SWITCH
- FUSED DISCONNECT SWITCH
- RATED SWITCH
- ELECTRICAL MOTOR
- PANELBOARD - 120/208V
- FIRE ALARM CONTROL PANEL
- FIRE ALARM MANUAL PULL STATION - MOUNT CIL UP 48"
- FIRE ALARM HORN / LIGHT UNIT - CANDLE POWER (CD) PER NFPA 72 AND AS NOTED - 15/75 WHERE NOT OTHERWISE INDICATED ON PLANS - MOUNT CIL UP 94" ON WALL
- FIRE ALARM STROBE LIGHT UNIT - CANDLE POWER (CD) PER NFPA 72 AND AS NOTED - 15/75 WHERE NOT OTHERWISE INDICATED ON PLANS - MOUNT CIL UP 94" ON WALL
- FIRE ALARM SYSTEM DUCT SMOKE DETECTOR WITH SAMPLING TUBE
- FIRE ALARM SMOKE DETECTOR - CEILING MOUNTED - COORDINATE EXACT LOCATION WITH MECHANICAL DIFFUSERS AND GRILLES - DO NOT LOCATE WITHIN 5 FEET OF A MECHANICAL DIFFUSER OR GRILLE
- FIRE ALARM HEAT DETECTOR - CEILING MOUNTED
- FIRE ALARM ADDRESSABLE INPUT MODULE
- FIRE ALARM ADDRESSABLE OUTPUT MODULE
- FIRE ALARM TAMPER SWITCH
- FIRE ALARM FLOW SWITCH
- ELECTRIC DOOR HOLDER / CLOSER - COORDINATE WITH DIVISION 08
- EXIT SIGN WITH ARROWS AS INDICATED OR HATCH INDICATES FACE - CEILING MOUNTED
- EXIT SIGN WITH ARROWS AS INDICATED OR HATCH INDICATES FACE - WALL MOUNTED DIRECTLY ABOVE DOOR
- EMERGENCY BATTERY UNIT - SEE LIGHTING FIXTURE TYPE "EBU" IN LIGHTING FIXTURE SCHEDULE
- KEYNOTE TAG
- WEATHER PROOF



## CENTRAL MAINE COMMUNITY COLLEGE ECE AREA RENOVATION

AUBURN, MAINE

Harriman Project No.	16611
Key Plan	Prog North

Issues and Revisions

Date	Description
03-29-17	CONSTRUCTION DOCUMENTS

Drawing Scales

PA / PE: JWT	© 2017 Harriman Associates
Drawn By: PRA	

## ELECTRICAL LEGEND AND DETAILS

# E00.1