



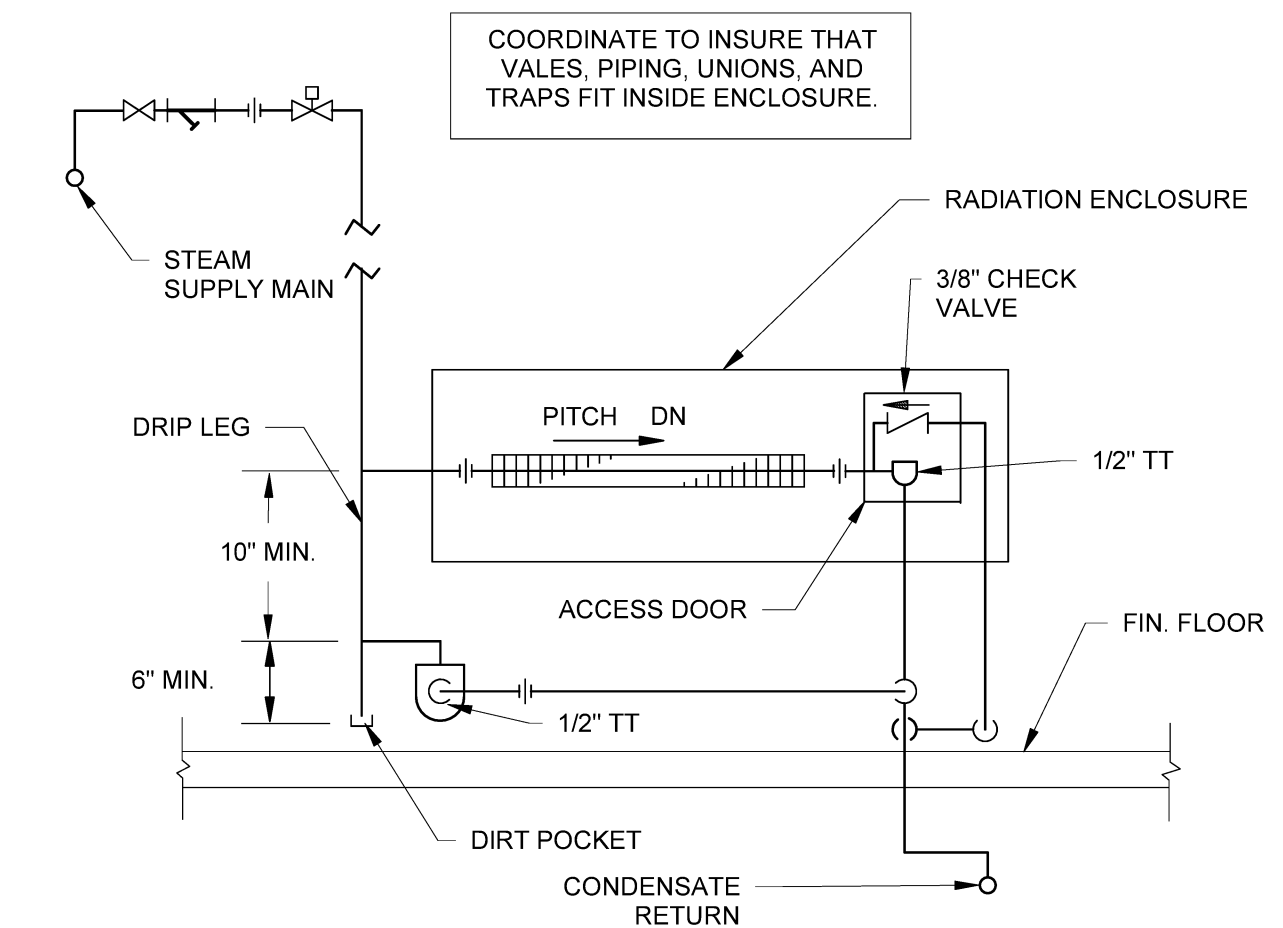
HARRIMAN

AUBURN PORTLAND PORTSMOUTH BOSTON

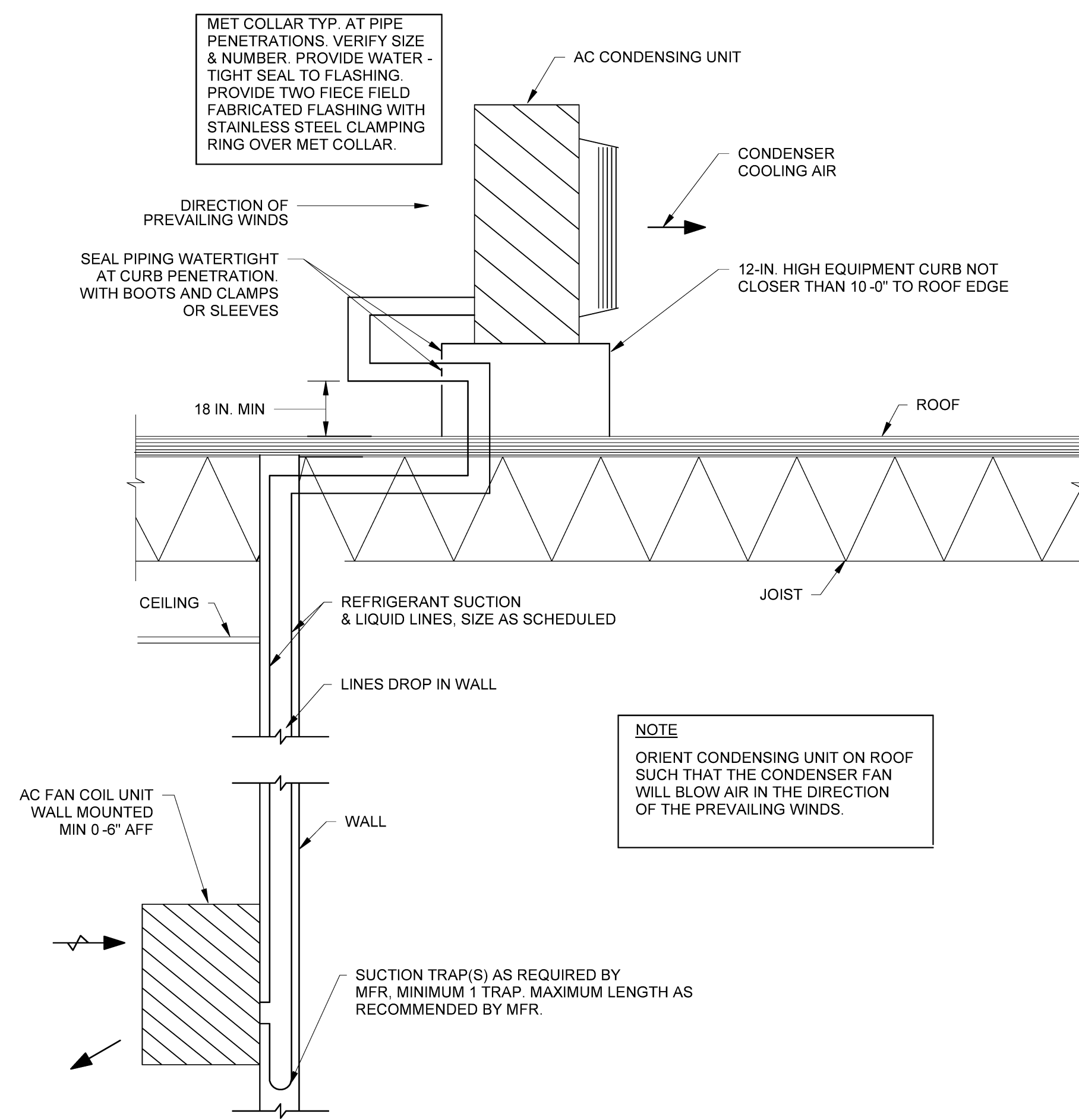
CENTRAL MAINE COMMUNITY COLLEGE ECE AREA RENOVATION

AUBURN, MAINE

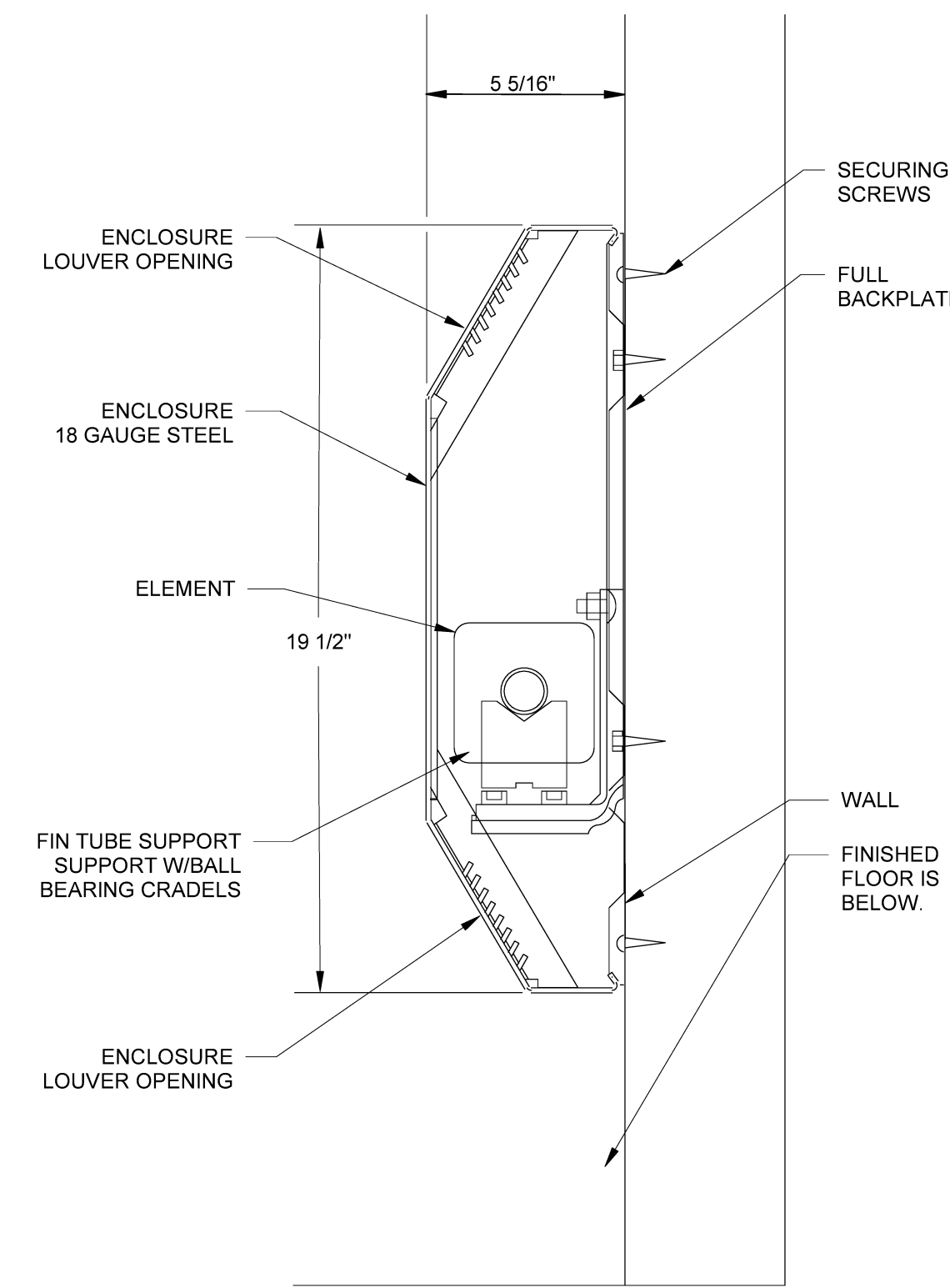
Harriman Project No. 16611
Key Plan Proj North



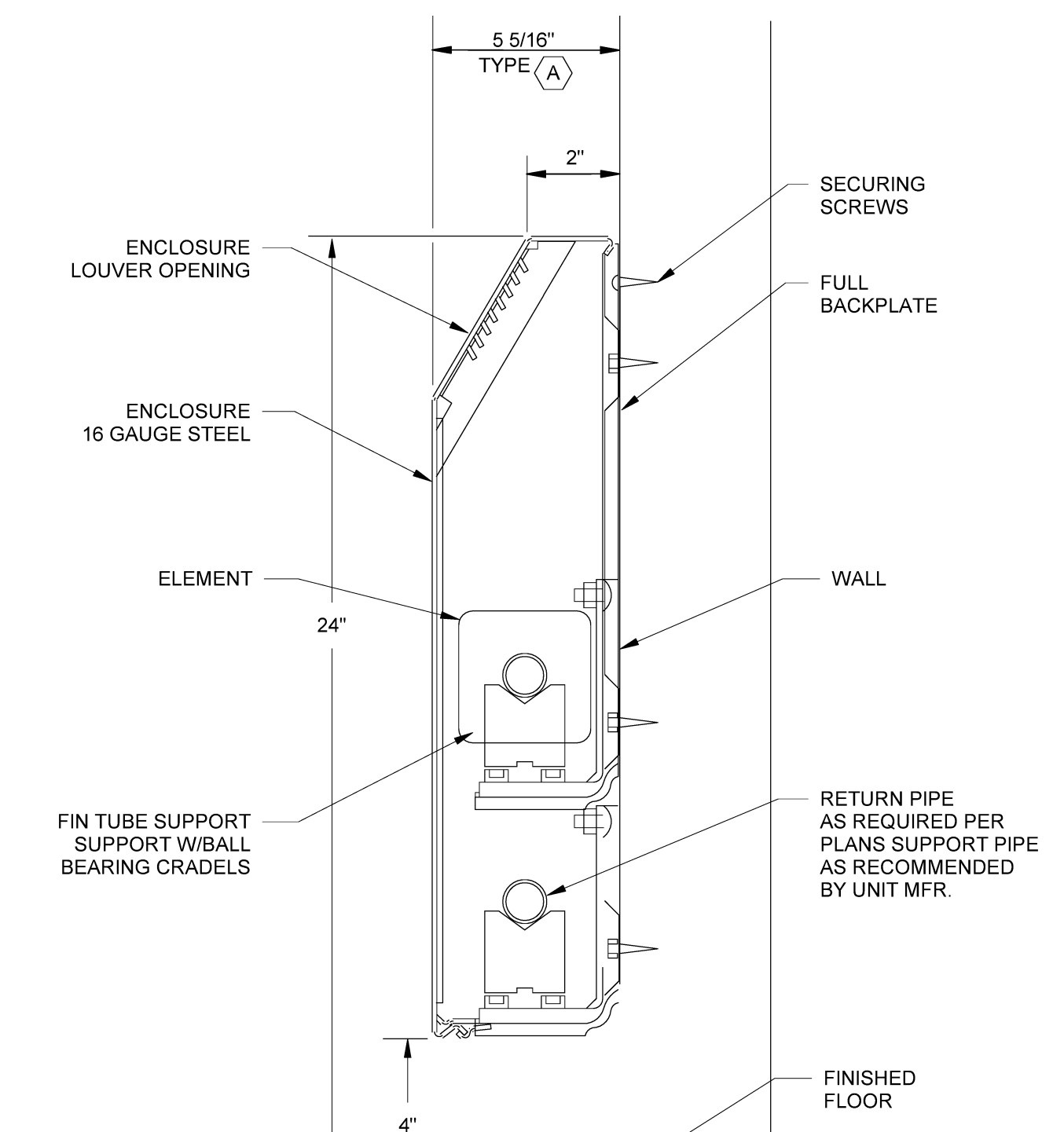
4 STEAM RADIATION DOWN FEED PIPING
NO SCALE



3 DUCTLESS SPLIT AC UNIT
NO SCALE



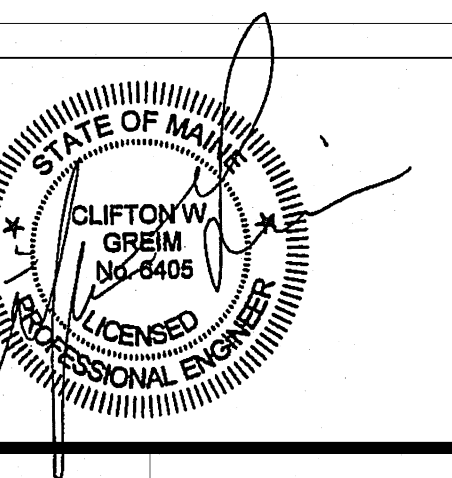
2 FIN TUBE RADIATION-SINGLE ELEMENT WALL MOUNTED DOUBLE-SLOPE
NO SCALE



1 FIN TUBE RADIATION-SINGLE ELEMENT WALL MOUNTED
NO SCALE

Issues and Revisions

Date	Description
03-29-17	CONSTRUCTION DOCUMENTS



PA/PE: CG © 2017
Drawn By: DBR Harriman Associates

PIPING DETAILS

M30.2